

4

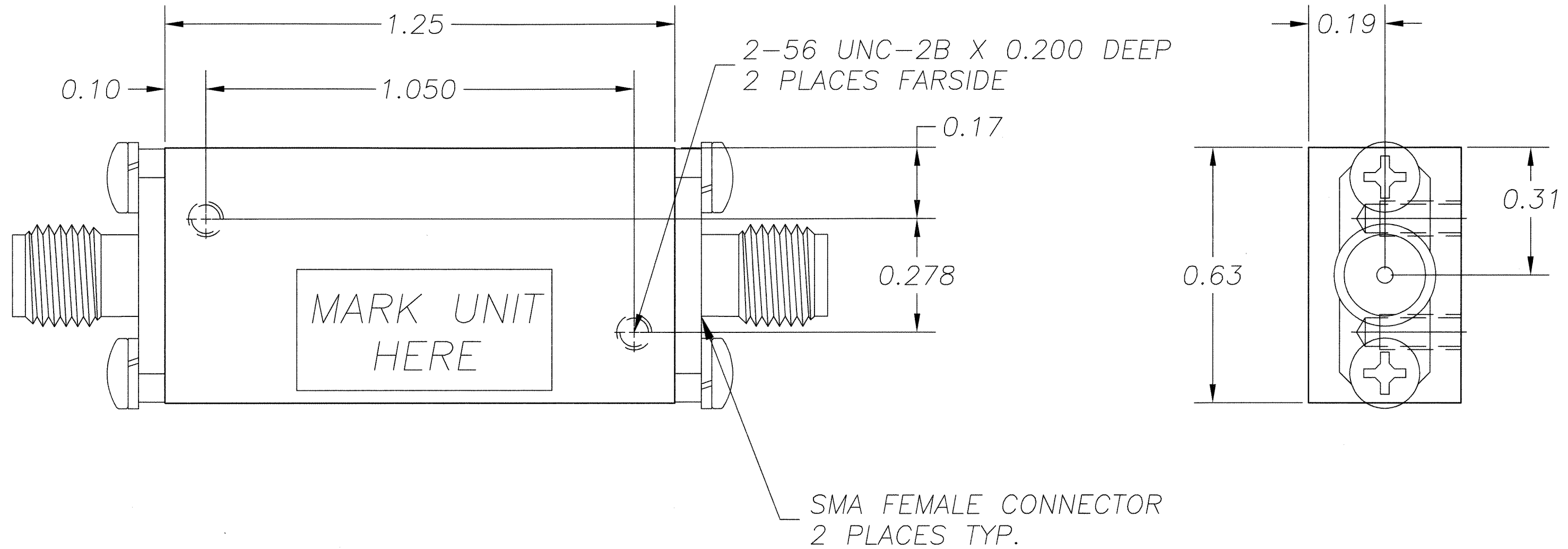
3

2

1

THIS DOCUMENT CONTAINS INFORMATION PROPRIETARY TO DELTA MICROWAVE. ANY REPRODUCTION OF THIS DOCUMENT WITHOUT WRIT- TEN PERMISSION IS EXPRESSLY PROHIBITED.

REVISIONS				
ZONE	REV	DESCRIPTION	DATE	APPROVED
	A	RELEASED	014/05/99	



2. MARKING: USING BLACK WARNOW INK TO INCLUDE: DELTA MICROWAVE, MODEL NO., SERIAL NO., CODE IDENT. NO. 51719 AND DATE CODE

1: FINISH: HAZE GRAY EPOXY POLYAMIDE TOPCOAT PER MIL-P-24441B TYP.1 (AS)COLOR NO.26270,FORMULA 151 PER MIL-P-24441/1C,QPL 24441-103 USING EPOXY POLYAMIDE PRIMER PER MIL-P-24441B TYP.1 24272 GREEN FORMULA 150 PER MIL-P-24441/1C,QPL 24441-103

NOTES:

U1396
USED ON MODEL#

QTY REQD	CODE IDENT	PART OR IDENTIFYING NO.	NOMENCLATURE OR DESCRIPTION	MATERIAL SPECIFICATION
PARTS LIST				
UNLESS OTHERWISE SPECIFIED DIMENSIONS ARE IN INCHES TOLERANCES ARE:		CONTRACT NO. U1396	DELTA MICROWAVE 1301 VANGUARD DR. OXNARD CALIFORNIA 93033	
FRACTIONS	DECIMALS	ANGLES	APPROVALS	DATE
+	.xx ±.01	+	DRAWN D.F.ESTABROOK	04/07/99
-	.xxx ±.005	-	CHECKED <i>[Signature]</i>	4/7/99
MATERIAL		APPROVED <i>[Signature]</i>	TITLE OUTLINE	
FINISH NO FINISH		SIZE B	CODE IDENT NO. 51719	DRAWING NO. U1396
DO NOT SCALE DRAWING		SCALE 4/1		SHEET 1 OF 1