

4

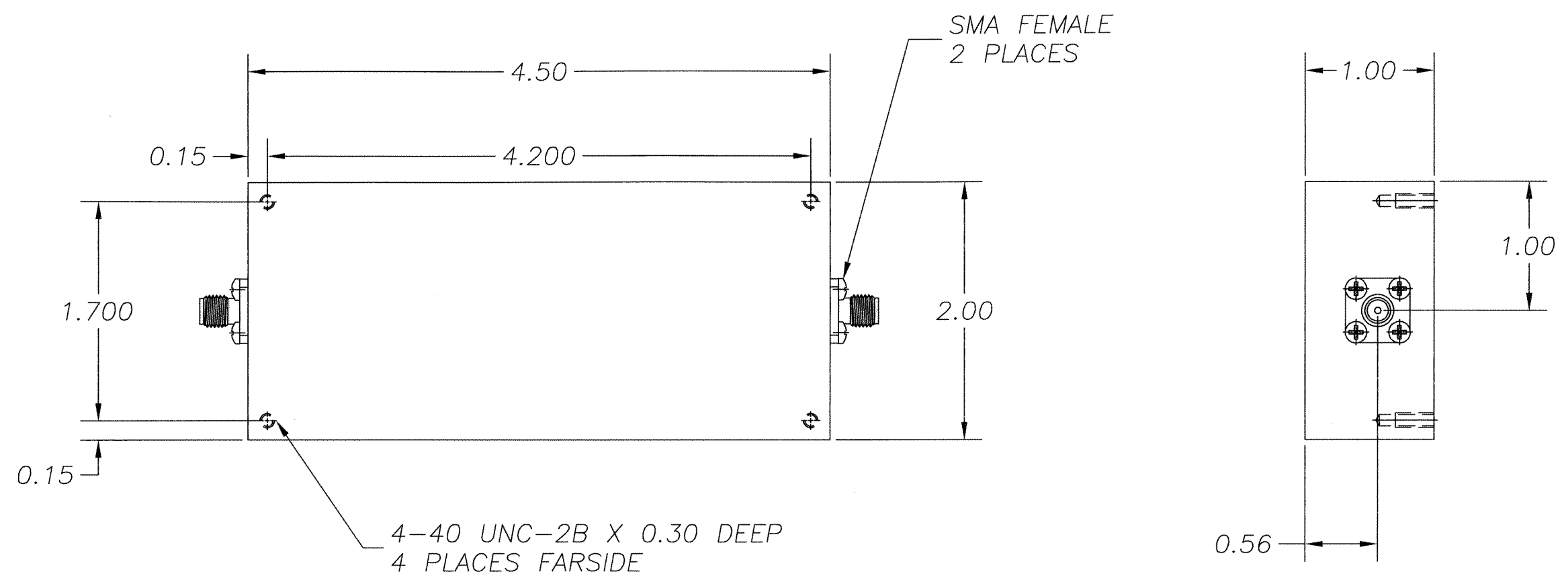
3

2

1

THIS DOCUMENT CONTAINS INFORMATION PROPRIETARY TO DELTA MICROWAVE. ANY REPRODUCTION OF THIS DOCUMENT WITHOUT WRITTEN PERMISSION IS EXPRESSLY PROHIBITED.

REVISIONS				
ZONE	REV	DESCRIPTION	DATE	APPROVED
	A	RELEASED	10/08/99	<i>[Signature]</i>



2. MARKING: USING BLACK WARNOW INK TO INCLUDE:
DELTA MICROWAVE, MODEL NO., SERIAL NO.,
CODE IDENT. NO. 51719 AND DATE CODE

1: FINISH: HAZE GRAY EPOXY POLYAMIDE TOPCOAT
PER MIL-P-24441B TYP.1
(AS)COLOR NO.26270, FORMULA 151
PER MIL-P-24441/1C, QPL 24441-103
USING EPOXY POLYAMIDE PRIMER
PER MIL-P-24441B TYP.1 24272 GREEN
FORMULA 150 PER MIL-P-24441/1C, QPL 24441-103

NOTES:

QTY REQD	CODE IDENT	PART OR IDENTIFYING NO.	NOMENCLATURE OR DESCRIPTION	MATERIAL SPECIFICATION
PARTS LIST				
UNLESS OTHERWISE SPECIFIED DIMENSIONS ARE IN INCHES		CONTRACT NO. U1419		 DELTA MICROWAVE 1301 VANGUARD DR. OXNARD CALIFORNIA 93033
TOLERANCES ARE:		APPROVALS	DATE	
FRACTIONS	DECIMALS	ANGLES		TITLE
+	.xx ±.01	+	DRAWN D.F.ESTABROOK 10/08/99	OUTLINE
-	.xxx ±.005	-	CHECKED <i>[Signature]</i> 10/15/99	
MATERIAL		APPROVED <i>[Signature]</i> 10/15/99	SIZE B	CODE IDENT NO. 51719
FINISH			DRAWING NO. U1419	
U1419			SCALE FULL	SHEET 1 OF 1
USED ON MODEL#		DO NOT SCALE DRAWING		

4

3

2

1