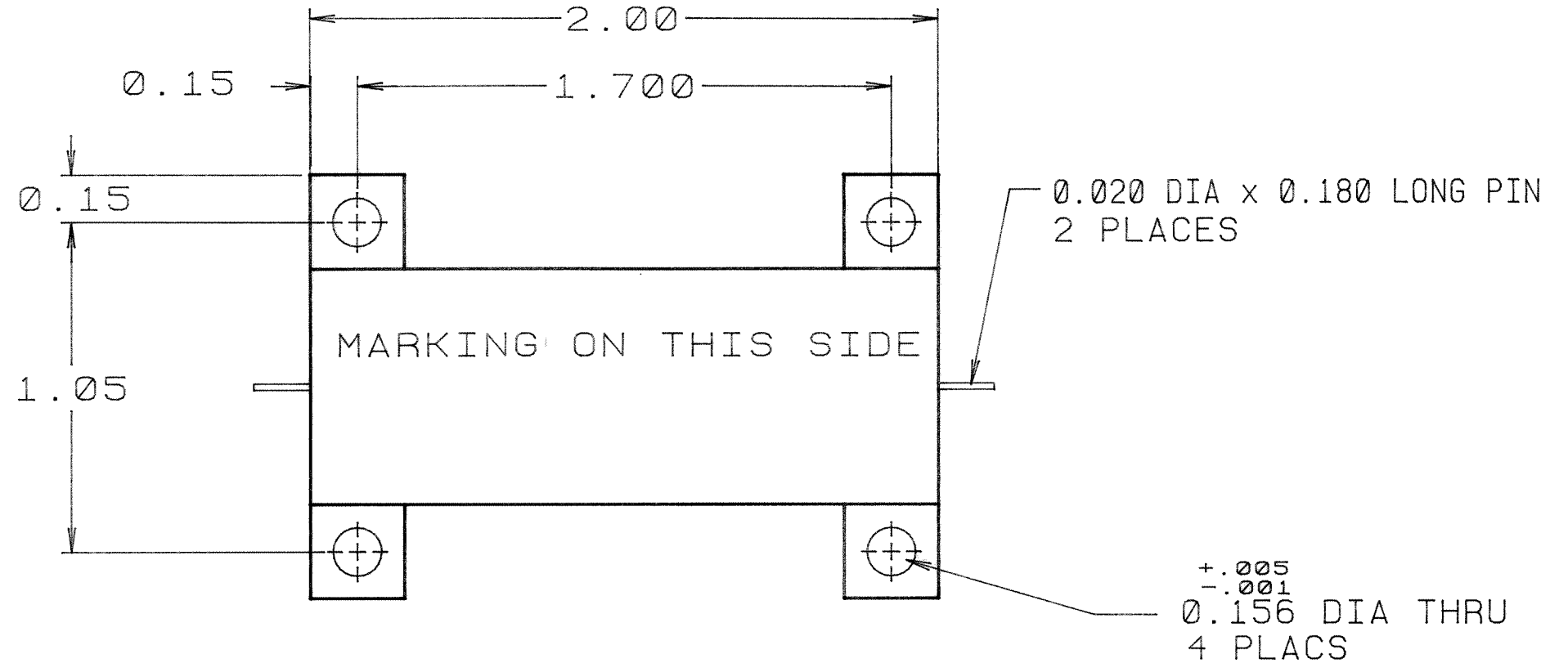
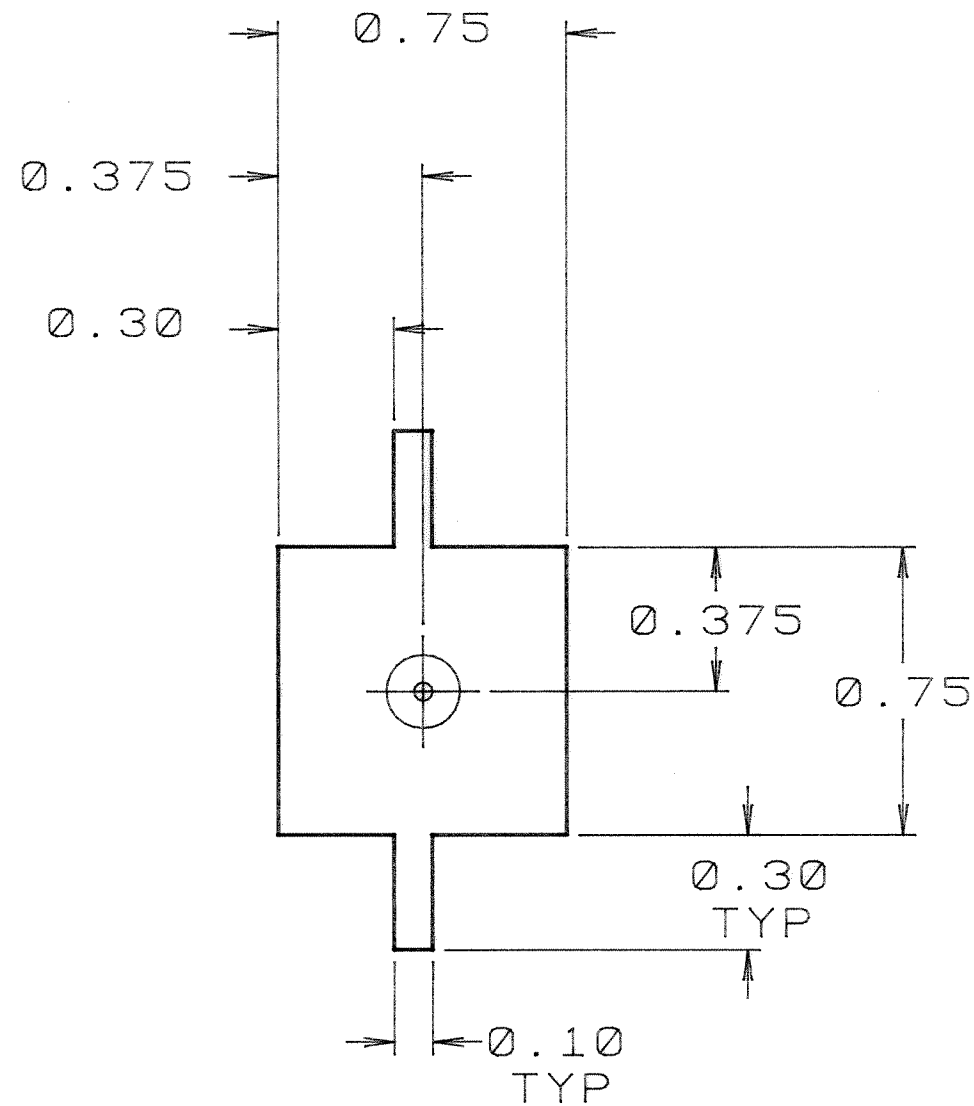


THIS DOCUMENT CONTAINS INFORMATION PROPRIETARY TO DELTA MICROWAVE. ANY REPRODUCTION OF THIS DOCUMENT WITHOUT WRITTEN PERMISSION IS EXPRESSLY PROHIBITED.

REVISIONS				
ZONE	LTR	DESCRIPTION	DATE	APPROVED
	C	ECO 103633	9/22/93	<i>[Signature]</i>
	D	ECO 103821	8/2/94	<i>[Signature]</i>



2. MARKING: 8P445-001S-770
 USING BLACK WORNOW INK TO INCLUDE:
 DELTA MICROWAVE, MODEL NO., SERIAL NO.,
 CODE IDENT. NO. 51719 AND DATE CODE.

1. FINISH: GOLD PLATE PER MIL-G-45204,
 TYPE II, GRADE C, CLASS 1

NOTES:

QTY REQD	CODE IDENT	PART OR IDENTIFYING NO.	NOMENCLATURE OR DESCRIPTION	MATERIAL SPECIFICATION
PARTS LIST				
UNLESS OTHERWISE SPECIFIED DIMENSIONS ARE IN INCHES TOLERANCES ARE:		CONTRACT NO. U1450	DELTA MICROWAVE 840 VIA ALONDRA CAMARILLO, CALIFORNIA 93010	
FRACTIONS DECIMALS ANGLES ± .XX ± .02 ± .XXX ± .010		APPROVALS	DATE	OUTLINE DRAWING
MATERIAL		DRAWN <i>[Signature]</i>	3-29-93	
FINISH 1		CHECKED <i>[Signature]</i>	8/17/94	
DO NOT SCALE DRAWING				
		SIZE B	CODE IDENT NO. 51719	DRAWING NO. U1450
			SCALE 2:1	SHEET 1 OF 1