

4

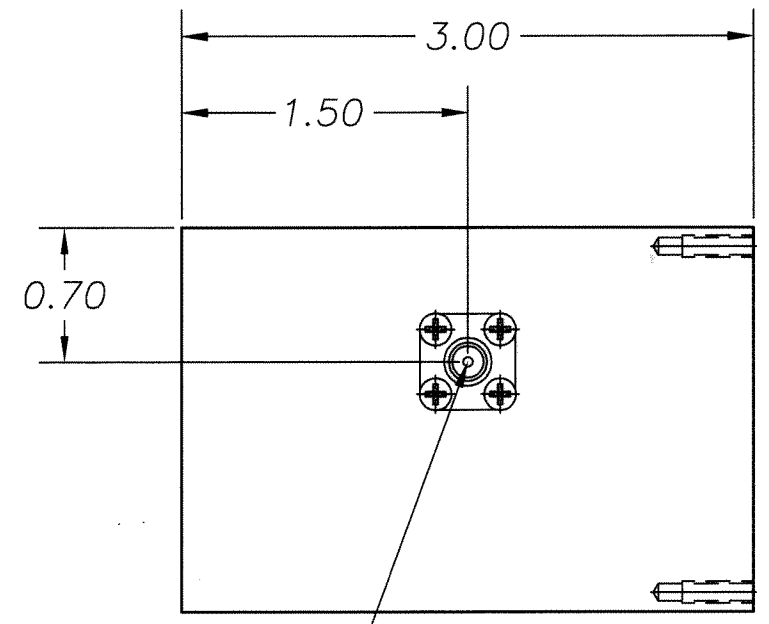
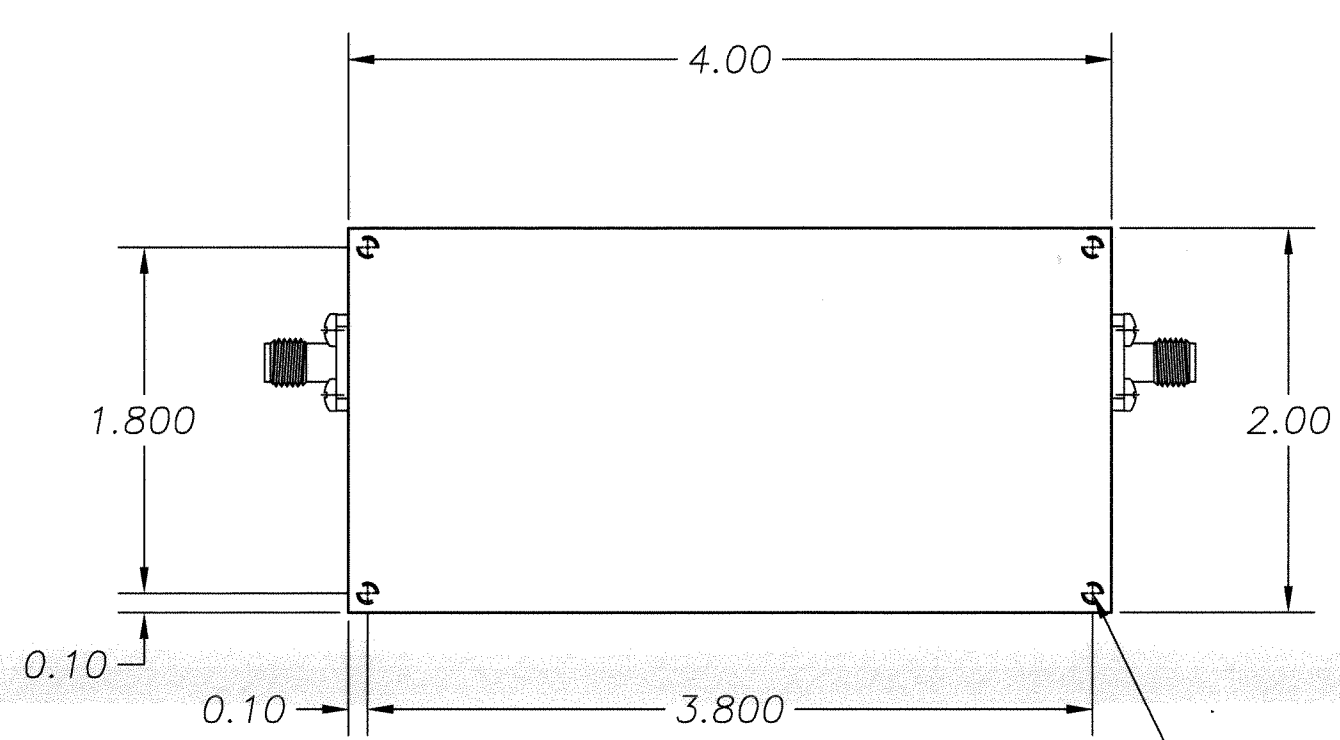
3

2

1

THIS DOCUMENT CONTAINS INFORMATION PROPRIETARY TO DELTA MICROWAVE. ANY REPRODUCTION OF THIS DOCUMENT WITHOUT WRITTEN PERMISSION IS EXPRESSLY PROHIBITED.

REVISIONS				
ZONE	REV	DESCRIPTION	DATE	APPROVED
	A	RELEASED	03/26/99	



4-40 UNC-2B X 0.375 DEEP  
4 PLACES FAR SIDE

SMA FEMALE  
2 PLACES

2. MARKING: USING BLACK WARNOW INK TO INCLUDE:  
DELTA MICROWAVE, MODEL NO., SERIAL NO.,  
CODE IDENT. NO. 51719 AND DATE CODE

1: FINISH: HAZE GRAY EPOXY POLYAMIDE TOPCOAT  
PER MIL-P-24441B TYP.1  
(AS)COLOR NO.26270,FORMULA 151  
PER MIL-P-24441/1C,QPL 24441-103  
USING EPOXY POLYAMIDE PRIMER  
PER MIL-P-24441B TYP.1 24272 GREEN  
FORMULA 150 PER MIL-P-24441/1C,QPL 24441-103

NOTES:

QTY REQD	CODE IDENT	PART OR IDENTIFYING NO.	NOMENCLATURE OR DESCRIPTION	MATERIAL SPECIFICATION
PARTS LIST				
UNLESS OTHERWISE SPECIFIED DIMENSIONS ARE IN INCHES		CONTRACT NO. U1608		DELTA MICROWAVE 1301 VANGUARD DR. OXNARD CALIFORNIA 93033
TOLERANCES ARE:		APPROVALS	DATE	
FRACTIONS	DECIMALS	ANGLES		TITLE <b>OUTLINE</b>
+	.xx ±.030	+	DRAWN D.F.ESTABROOK 03/26/99	
-	.xxx ±.010	-	CHECKED  3/29/99	
MATERIAL		APPROVED  3/29/99	SIZE B	CODE IDENT NO. 51719
FINISH			DRAWING NO. U1608	
U1608			SCALE FULL	SHEET 1 OF 1
USED ON MODEL#		DO NOT SCALE DRAWING		

4

3

2

1