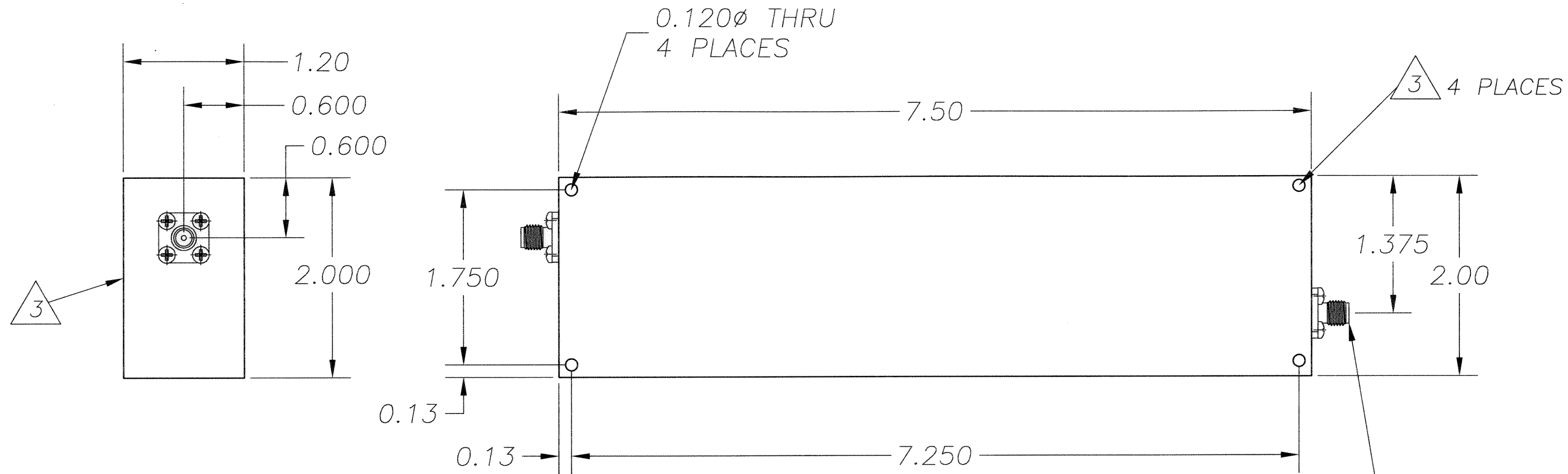


THIS DOCUMENT CONTAINS INFORMATION PROPRIETARY TO DELTA MICROWAVE. ANY REPRODUCTION OF THIS DOCUMENT WITHOUT WRITTEN PERMISSION IS EXPRESSLY PROHIBITED.

REVISIONS				
ZONE	REV	DESCRIPTION	DATE	APPROVED
	A	RELEASED	08/20/98	R.E.S.
	B	ECO#104655	12/22/98	R.E.S.
	C	ECO#105532	03/06/01	



- 3. MOUNTING SURFACE AND INSIDE OF MTG. HOLES TO REMAIN FREE OF PAINT
- 2. MARKING: USING BLACK WARNOW INK TO INCLUDE: DELTA MICROWAVE, MODEL NO., SERIAL NO., CODE IDENT. NO. 51719 AND DATE CODE

1: FINISH: SEA FOAM GREEN EPOXY POLYAMIDE TOPCOAT PER MIL-P-22750E (AS) COLOR NO.24533 PER FED-STD-595B USING EPOXY POLYAMIDE PRIMER PER MIL-P-24441B TYP.1 24272 GREEN FORMULA 150 PER MIL-P-24441/1C,QPL 24441-103

NOTES:

QTY REQD	CODE IDENT	PART OR IDENTIFYING NO.	NOMENCLATURE OR DESCRIPTION	MATERIAL SPECIFICATION
PARTS LIST				
UNLESS OTHERWISE SPECIFIED DIMENSIONS ARE IN INCHES TOLERANCES ARE: FRACTIONS DECIMALS ANGLES + .XX ±.01 + - .XXX ±.005 -		CONTRACT NO. U1967	DELTA MICROWAVE 1301 VANGUARD DR. OXNARD CALIFORNIA 93033	
MATERIAL		APPROVALS	DATE	TITLE
FINISH		DRAWN D.F.ESTABROOK	08/20/98	U1967
USED ON MODEL#		CHECKED <i>NCS</i>	3/7/01	
		APPROVED <i>[Signature]</i>	3-7-01	
		SIZE B	CODE IDENT NO. 51719	DRAWING NO. U1967
		SCALE FULL		SHEET 1 OF 1