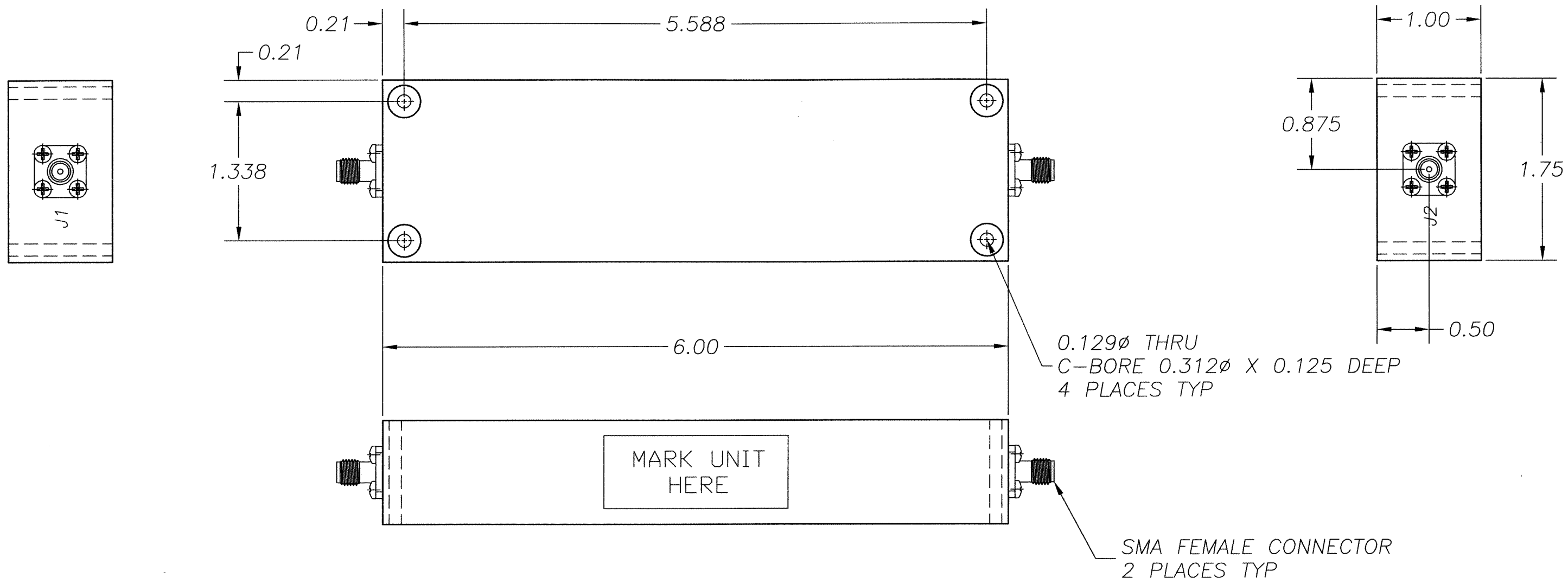


THIS DOCUMENT CONTAINS INFORMATION PROPRIETARY TO DELTA MICROWAVE. ANY REPRODUCTION OF THIS DOCUMENT WITHOUT WRITTEN PERMISSION IS EXPRESSLY PROHIBITED.

REVISIONS				
ZONE	REV	DESCRIPTION	DATE	APPROVED
	A	RELEASED	08/04/98	



2. MARKING: USING BLACK WARNOW INK TO INCLUDE: DELTA MICROWAVE, MODEL NO., SERIAL NO., CODE IDENT. NO. 51719 AND DATE CODE

1: FINISH: HAZE GRAY EPOXY POLYAMIDE TOPCOAT PER MIL-P-24441B TYP.1 (AS) COLOR NO.26270, FORMULA 151 PER MIL-P-24441/1C, QPL 24441-103 USING EPOXY POLYAMIDE PRIMER PER MIL-P-24441B TYP.1 24272 GREEN FORMULA 150 PER MIL-P-24441/1C, QPL 24441-103

NOTES:

QTY REQD	CODE IDENT	PART OR IDENTIFYING NO.	NOMENCLATURE OR DESCRIPTION	MATERIAL SPECIFICATION		
PARTS LIST						
UNLESS OTHERWISE SPECIFIED DIMENSIONS ARE IN INCHES TOLERANCES ARE:		CONTRACT NO. U1968		DELTA MICROWAVE 1301 VANGUARD DR. OXNARD CALIFORNIA 93033		
FRACTIONS	DECIMALS	ANGLES	APPROVALS		DATE	
+	.xx ±.01	+	DRAWN	D.F.ESTABROOK	08/04/98	
-	.xxx ±.005	-	CHECKED	DEB	8/10/98	
MATERIAL		APPROVED		TITLE <h1>OUTLINE</h1>		
FINISH						
U1968		SCALE FULL		SIZE	CODE IDENT NO.	DRAWING NO.
USED ON MODEL#		DO NOT SCALE DRAWING		B	51719	U1968
				SHEET 1 OF 2		