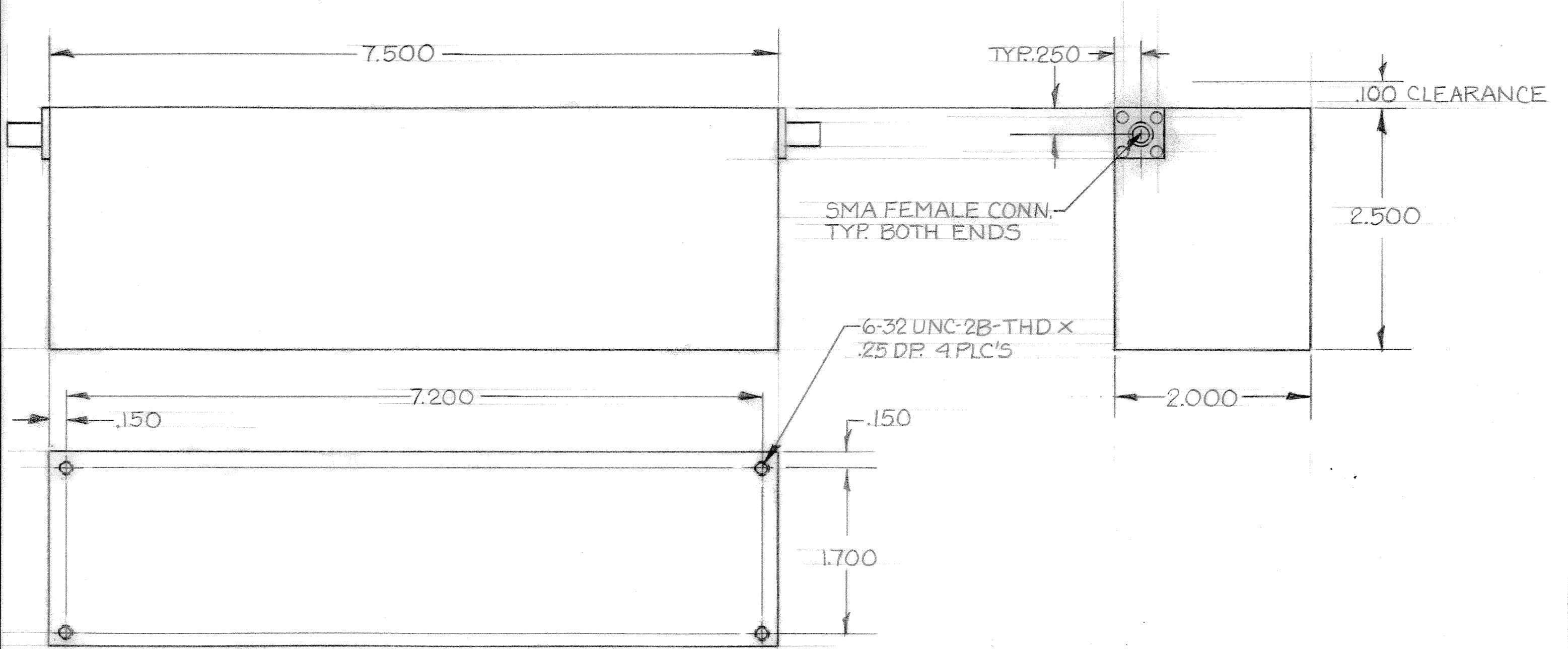


THIS DOCUMENT CONTAINS INFORMATION PROPRIETARY TO DELTA MICROWAVE. ANY REPRODUCTION OF THIS DOCUMENT WITHOUT WRITTEN PERMISSION IS EXPRESSLY PROHIBITED.

REVISIONS				
ZONE	LTR	DESCRIPTION	DATE	APPROVED
	A	RELEASED	12-20-82	<i>[Signature]</i>



QTY REQD	CODE IDENT	PART OR IDENTIFYING NO.	NOMENCLATURE OR DESCRIPTION	MATERIAL SPECIFICATION
PARTS LIST				
UNLESS OTHERWISE SPECIFIED DIMENSIONS ARE IN INCHES TOLERANCES ARE: FRACTIONS DECIMALS ANGLES ± 1/64 .XX ± .01 ± 1/2° XXX ± .005			CONTRACT NO.	
MATERIAL			APPROVALS	
FINISH			DATE	
DO NOT SCALE DRAWING			DRAWN <i>[Signature]</i> 12-20-82	
			CHECKED <i>[Signature]</i> 12-20-82	
			DELTA MICROWAVE 840 VIA ALONDRA CAMARILLO, CALIFORNIA 93010	
			BANDREJECT FILTER	
SIZE		CODE IDENT NO.	DRAWING NO.	
B		51719	U2501	
SCALE			SHEET OF	

MARKING: USING BLACK WORNOW INK, TO INCLUDE DELTA MICROWAVE, 51719, MODEL U2501, SERIAL NO. AND DATE CODE.

FINISH: GREY POLYURETHANE COATING PER MIL-C-81773 (AS), USING EPOXY PRIMER (MIL-P-23377C) COLOR 16440 PER FED STD-595. MASK CONN. AND MTG. HOLES.

NOTES: