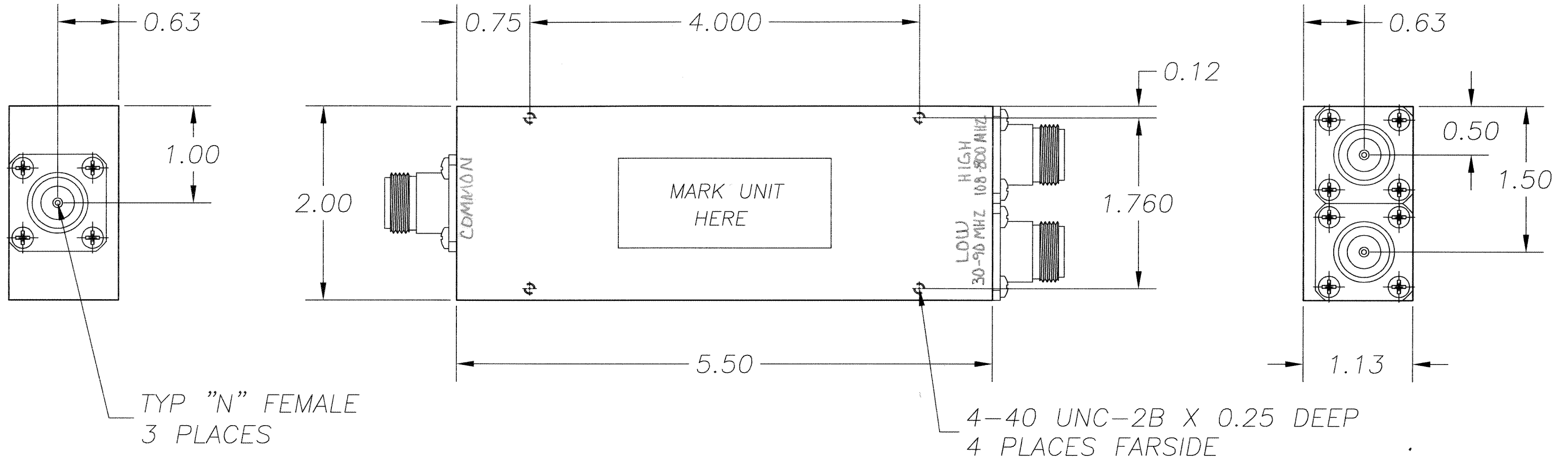


THIS DOCUMENT CONTAINS INFORMATION PROPRIETARY TO DELTA MICROWAVE. ANY REPRODUCTION OF THIS DOCUMENT WITHOUT WRITTEN PERMISSION IS EXPRESSLY PROHIBITED.

REVISIONS				
ZONE	REV	DESCRIPTION	DATE	APPROVED
	A	RELEASED	01/31/01	



2. MARKING: USING BLACK WARNOW INK TO INCLUDE:
DELTA MICROWAVE, MODEL NO., SERIAL NO.,
CODE IDENT. NO. 51719 AND DATE CODE

1: FINISH: HAZE GRAY EPOXY POLYAMIDE TOPCOAT
PER MIL-DTL-2441/21A, TYP 3, FORMULA 151
USING GREEN EPOXY POLYAMIDE PRIMER
PER MIL-DTL-2441/20A, TYP 3, FORMULA 150

NOTES:

QTY REQD	CODE IDENT	PART OR IDENTIFYING NO.	NOMENCLATURE OR DESCRIPTION	MATERIAL SPECIFICATION
PARTS LIST				
UNLESS OTHERWISE SPECIFIED DIMENSIONS ARE IN INCHES TOLERANCES ARE: FRACTIONS DECIMALS ANGLES + .XX ±.03 + - .XXX ±.010 -			CONTRACT NO. U5714	DELTA MICROWAVE 1301 VANGUARD DR. OXNARD CALIFORNIA 93033
APPROVALS		DATE	TITLE OUTLINE	
DRAWN D.F. ESTABROOK		01/31/01		
MATERIAL		CHECKED	SIZE B CODE IDENT NO. 51719 DRAWING NO. U5714	
FINISH		APPROVED		
U5714		SCALE FULL		SHEET 1 OF 1
USED ON MODEL#		DO NOT SCALE DRAWING		