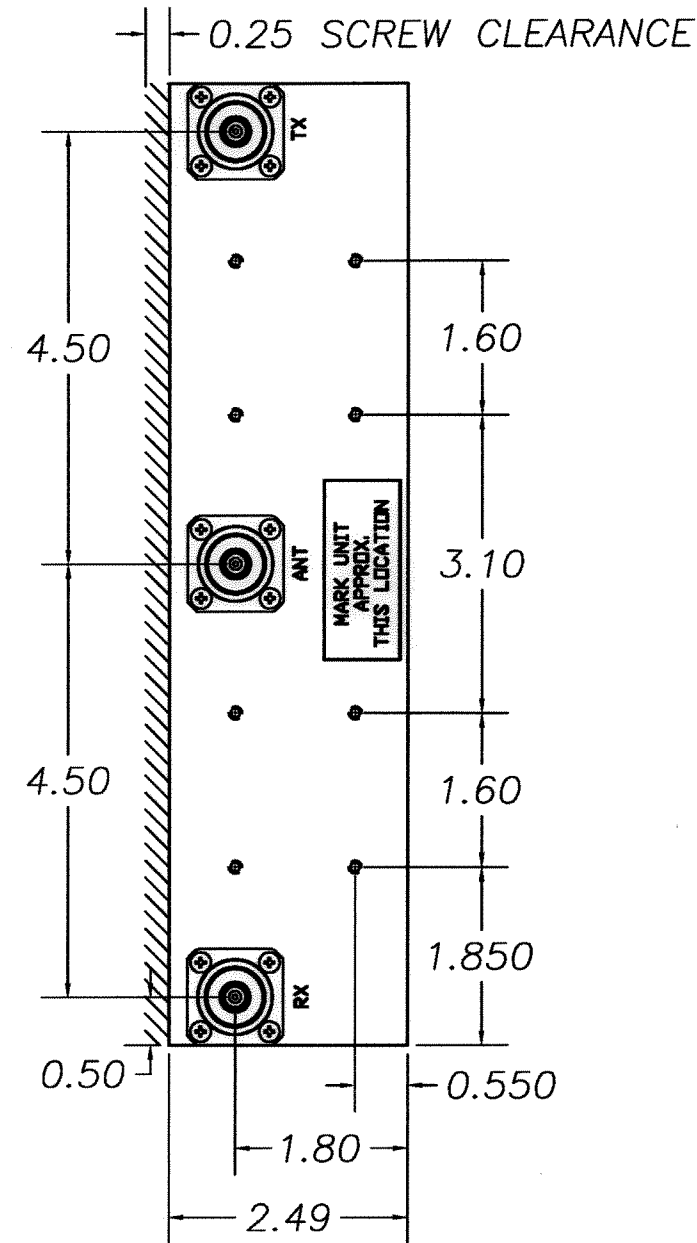
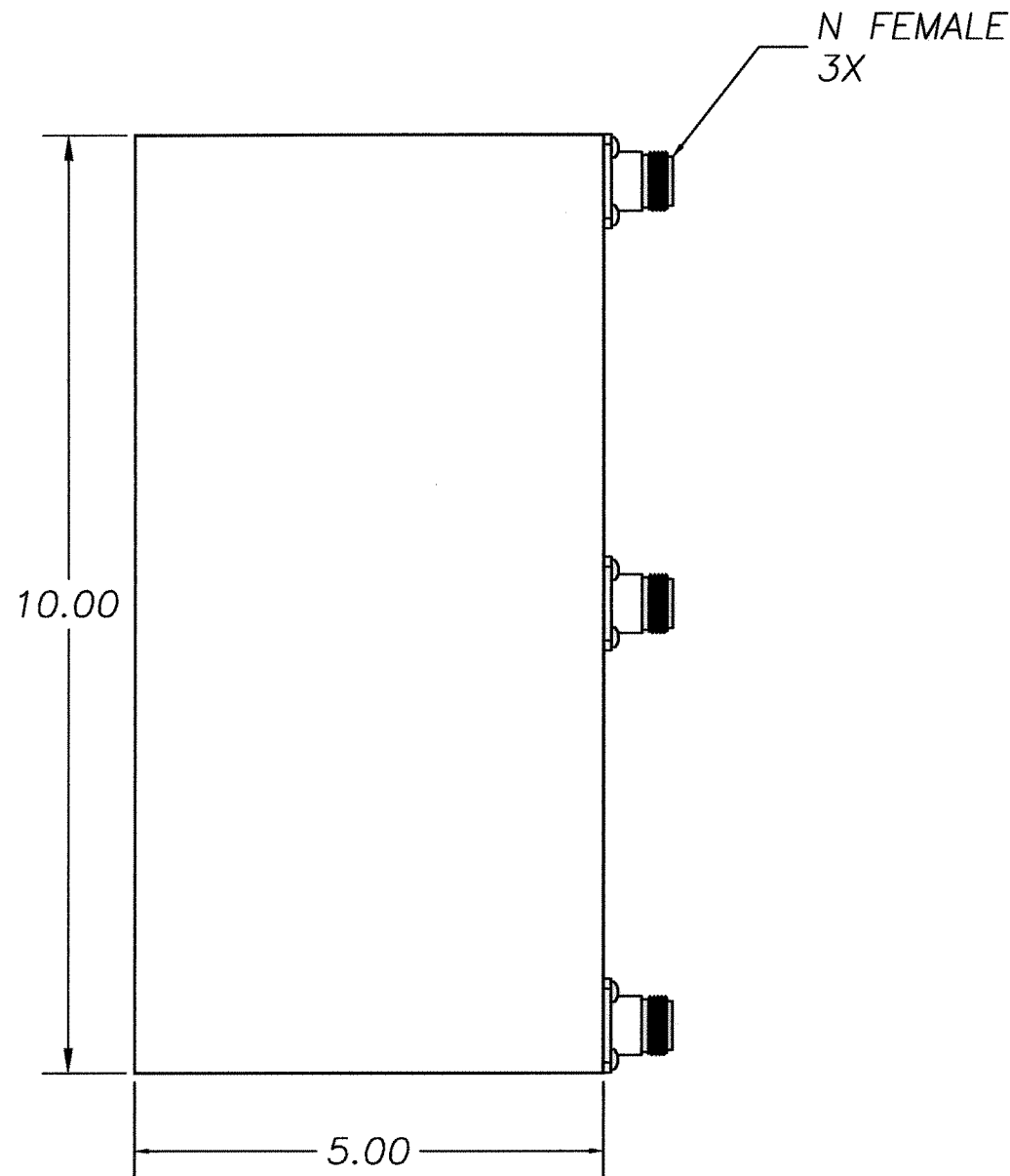


THIS DOCUMENT CONTAINS INFORMATION PROPRIETARY TO DELTA MICROWAVE. ANY REPRODUCTION OF THIS DOCUMENT WITHOUT WRITTEN PERMISSION IS EXPRESSLY PROHIBITED.

REVISIONS				
ZONE	REV	DESCRIPTION	DATE	APPROVED
	A	RELEASED	02/17/99	02/17/99
	B	ECO#106252	09/22/03	<i>SB</i>



2. MARKING: USING BLACK WARNOW INK TO INCLUDE: DELTA MICROWAVE, MODEL NO., SERIAL NO., CODE IDENT. NO. 51719 AND DATE CODE

1: FINISH: HAZE GRAY EPOXY POLYAMIDE TOPCOAT PER MIL-P-24441B TYP.1 (AS) COLOR NO.26270, FORMULA 151 PER MIL-P-24441/1C, QPL 24441-103 USING EPOXY POLYAMIDE PRIMER PER MIL-P-24441B TYP.1 24272 GREEN FORMULA 150 PER MIL-P-24441/1C, QPL 24441-103

NOTES:

QTY REQD	CODE IDENT	PART OR IDENTIFYING NO.	NOMENCLATURE OR DESCRIPTION	MATERIAL SPECIFICATION
PARTS LIST				
UNLESS OTHERWISE SPECIFIED DIMENSIONS ARE IN INCHES TOLERANCES ARE: FRACTIONS DECIMALS ANGLES + .XX ± .030 ± - .XXX ± .010 ±		CONTRACT NO. U5944	DELTA microwave	DELTA MICROWAVE 1301 VANGUARD DR. OXNARD CALIFORNIA 93033
MATERIAL		APPROVALS DRAWN <i>D.R. BOWLER</i>	DATE <i>02/17/99</i>	TITLE OUTLINE
FINISH		CHECKED <i>J.A. DeHoda</i>	DATE <i>10/16/03</i>	SIZE B
DO NOT SCALE DRAWING		APPROVED <i>SB</i>	DATE <i>10/21/03</i>	CODE IDENT NO. 51719
			DRAWING NO. U5944	SHEET 1 OF 1