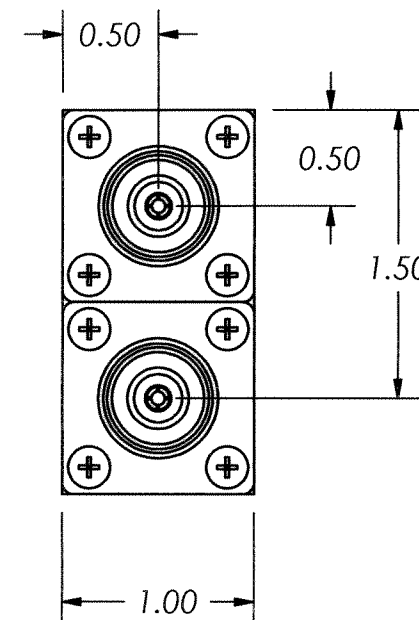
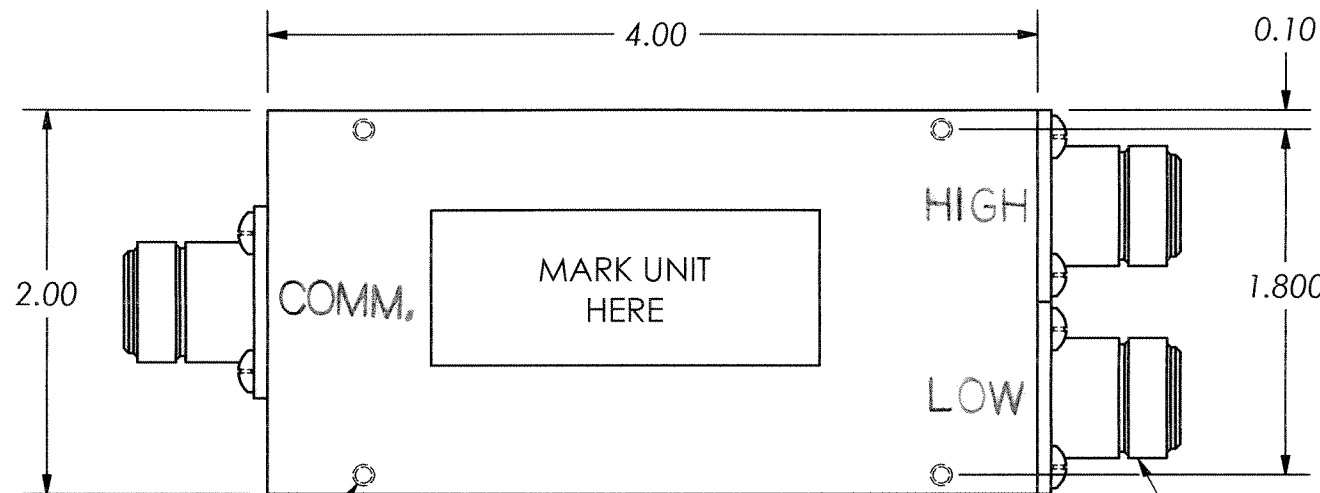
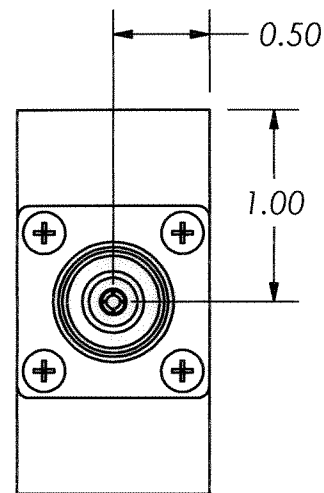


THIS DOCUMENT CONTAINS INFORMATION PROPRIETARY TO DELTA MICROWAVE. ANY REPRODUCTION WITHOUT WRITTEN PERMISSION IS EXPRESSLY PROHIBITED.

ZONE	REV	DESCRIPTION	DATE	APPROVED
	A	RELEASED	12/04/02	



4-40 UNC - 2B ∇ 0.25
4 PLACES FAR SIDE

TYP "N" FEMALE CONNECTOR
3 PLACES

2. MARKING: USING LABEL WITH BLACK CHARACTERS TO INCLUDE:
DELTA MICROWAVE, MODEL NO., SERIAL NO.,
CODE IDENT. NO. 51719 AND DATE CODE

1: FINISH: HAZE GRAY EPOXY POLYAMIDE TOPCOAT
PER MIL-DTL-24441C, SUP. 1
MIL-DTL-24441/21, TYP 3, FORMULA 151
USING GREEN EPOXY POLYAMIDE PRIMER
MIL-DTL-24441/20, TYP 3, FORMULA 150

NOTES:

UNLESS OTHERWISE SPECIFIED
DIMENSIONS ARE IN INCHES
TOLERANCES ARE:
FRACTIONS DECIMALS ANGLES
+ .xx ± .03 +
- .xxx ± .010 -

CONTRACT NO.
U5986

APPROVALS DATE
DRAWN N. CASTRO 12/04/02

REVIS

CHECKED
APPROVED
DF Estabrook 12/5/02
JCB 12/5/02

CAD SYSTEM

INVENTOR 5.0

DELTA MICROWAVE
1301 VANGUARD DRIVE OXNARD, CA 93033

TITLE
U5986 OUTLINE

SIZE CODE IDENT NO. DWG NO.
B 51719 U5986

SCALE 1/1 SHEET 1 OF 1

USED ON MODEL#	DO NOT SCALE DRAWING
----------------	----------------------