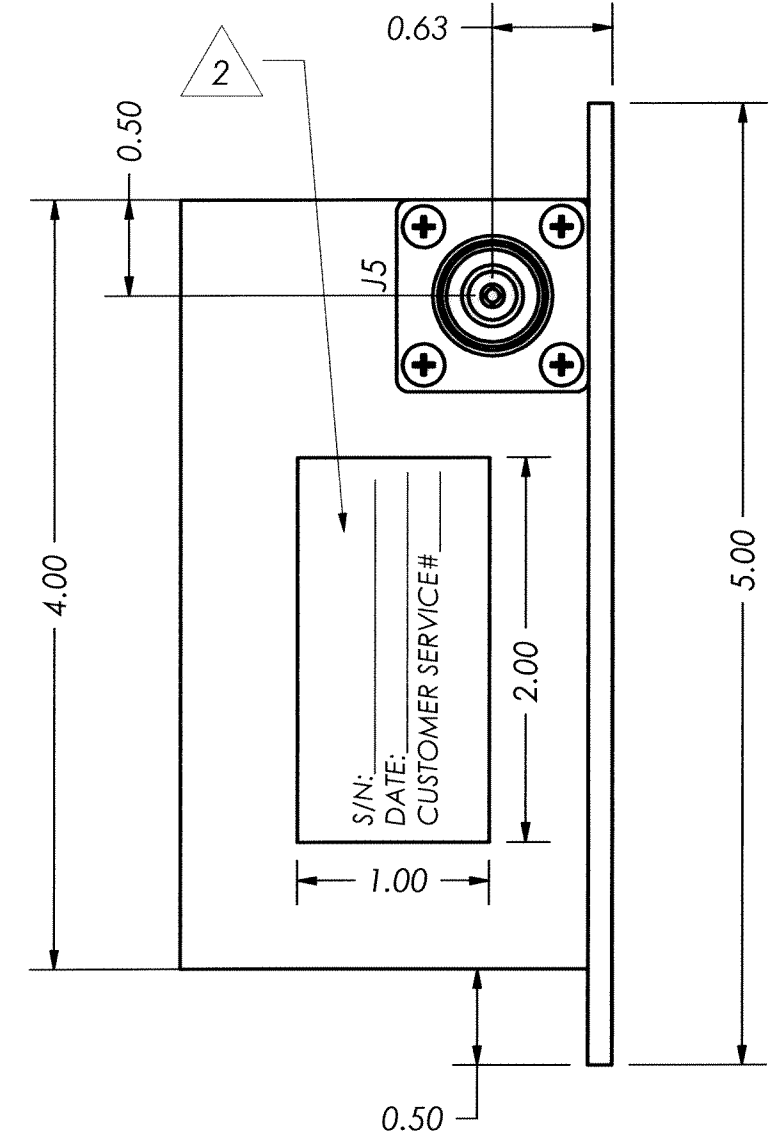
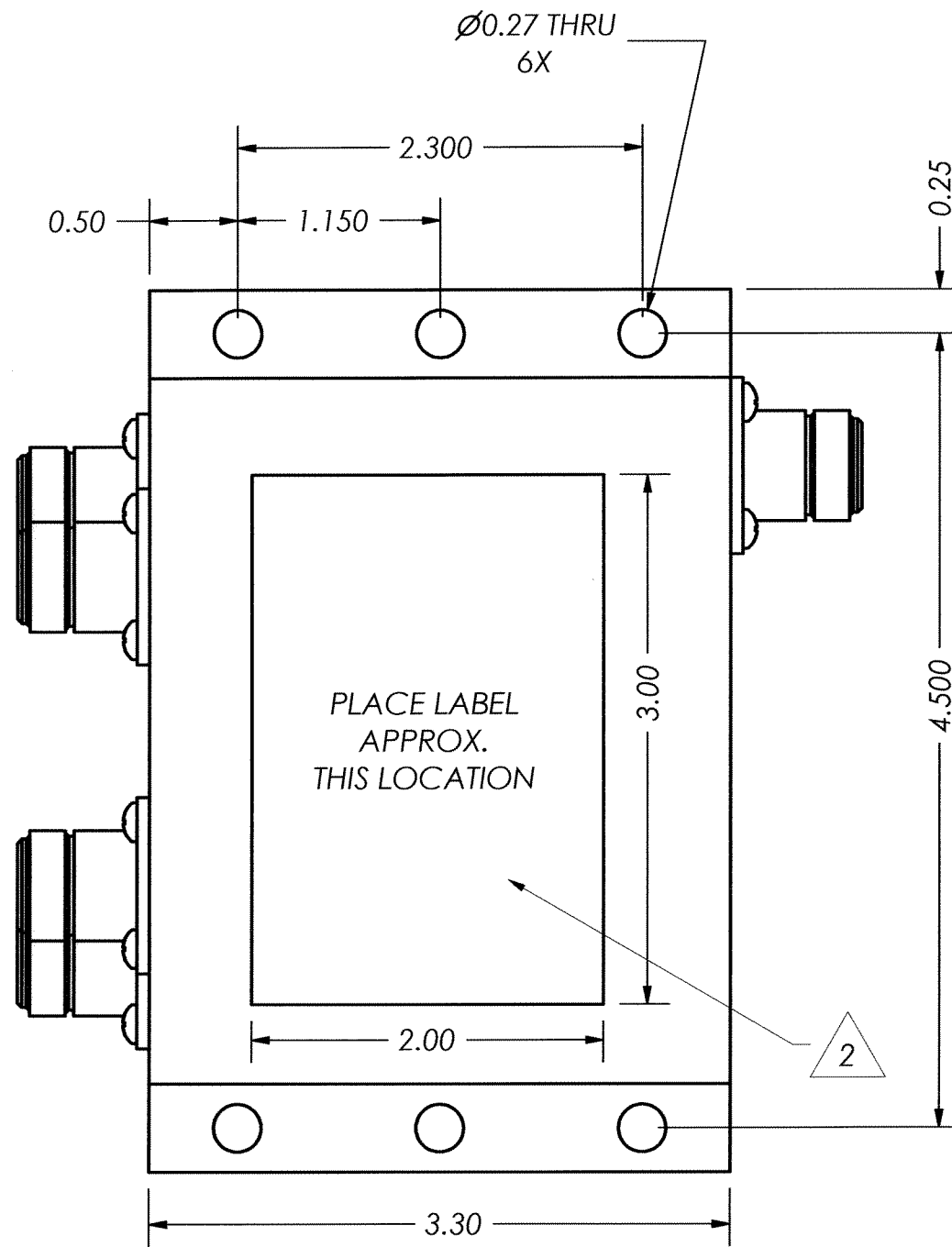
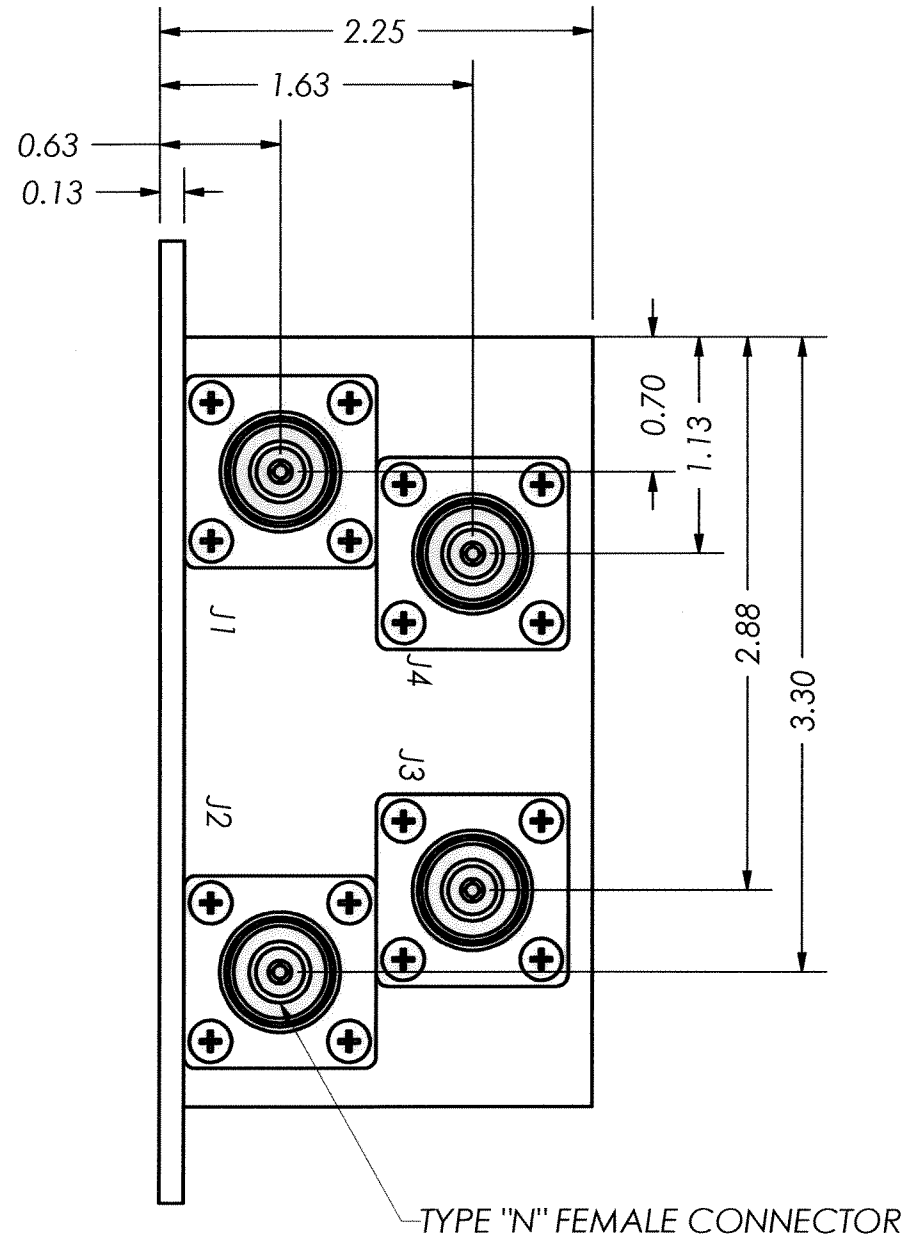


THIS DOCUMENT CONTAINS INFORMATION PROPRIETARY TO DELTA MICROWAVE. ANY REPRODUCTION WITHOUT WRITTEN PERMISSION IS EXPRESSLY PROHIBITED.

ZONE	REV	DESCRIPTION	DATE	APPROVED
	A	FIRST ENG. RELEASE	03/17/04	D.R.B.
	B	MOVE CONNECTOR CHANGE FINISH	03/30/04	D.R.B.
	C	ECO#106439	05/13/04	D.R.B.
	D	ECO#106460	06/02/04	<i>[Signature]</i>



2. LABELS TO BE SUPPLIED BY S.T.I.

1: FINISH: BLACK PAINT

NOTES:

UNLESS OTHERWISE SPECIFIED
DIMENSIONS ARE IN INCHES
TOLERANCES ARE:
FRACTIONS DECIMALS ANGLES
+ .xx ± .03 +
- .xxx ± .010 -

CONTRACT NO. U5988

APPROVALS DATE
DRAWN D.F.ESTABROOK 03/17/04

REVISED J.A.DEHORTA 05/14/04

CHECKED *[Signature]* 6/2/04

APPROVED *[Signature]* 6/1/04



Delta Microwave Inc.

1301 VANGUARD DRIVE OXNARD, CA 93033

U5988 OUTLINE

SIZE

B

CODE IDENT NO.

51719

DWG NO

U5988

SCALE 1:2

SHEET

1 OF

1

USED ON MODEL#

DO NOT SCALE DRAWING