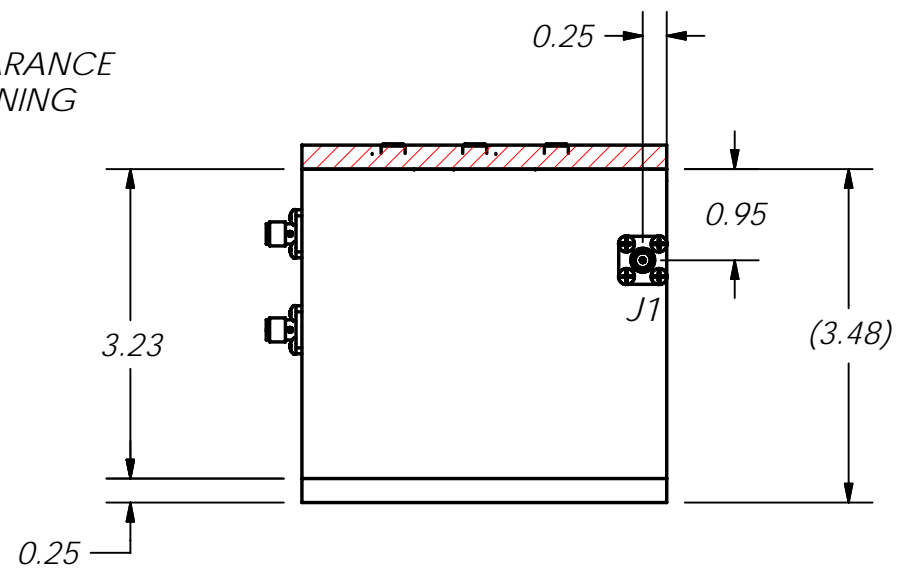
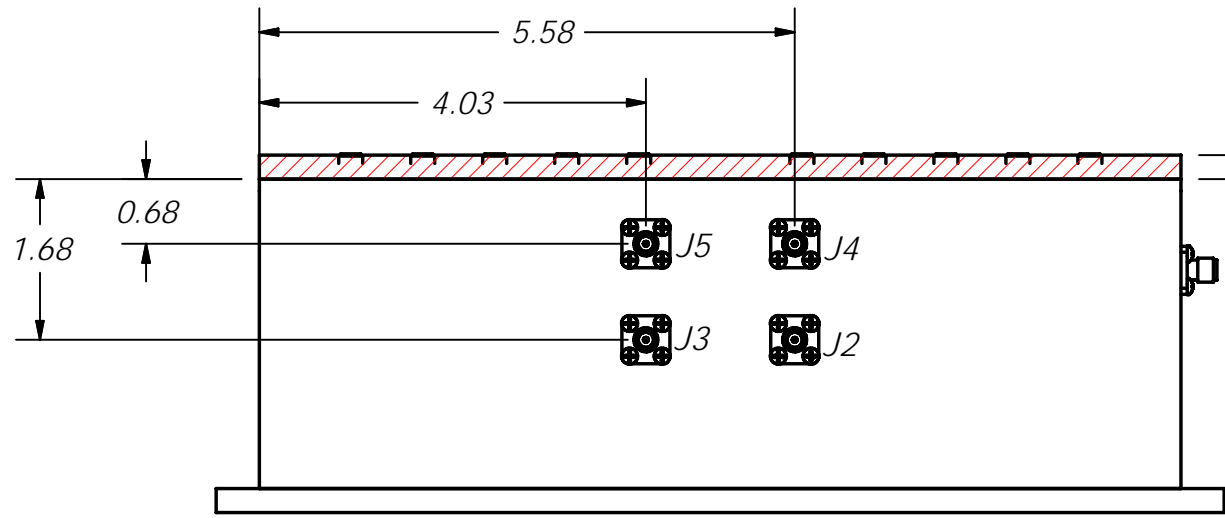
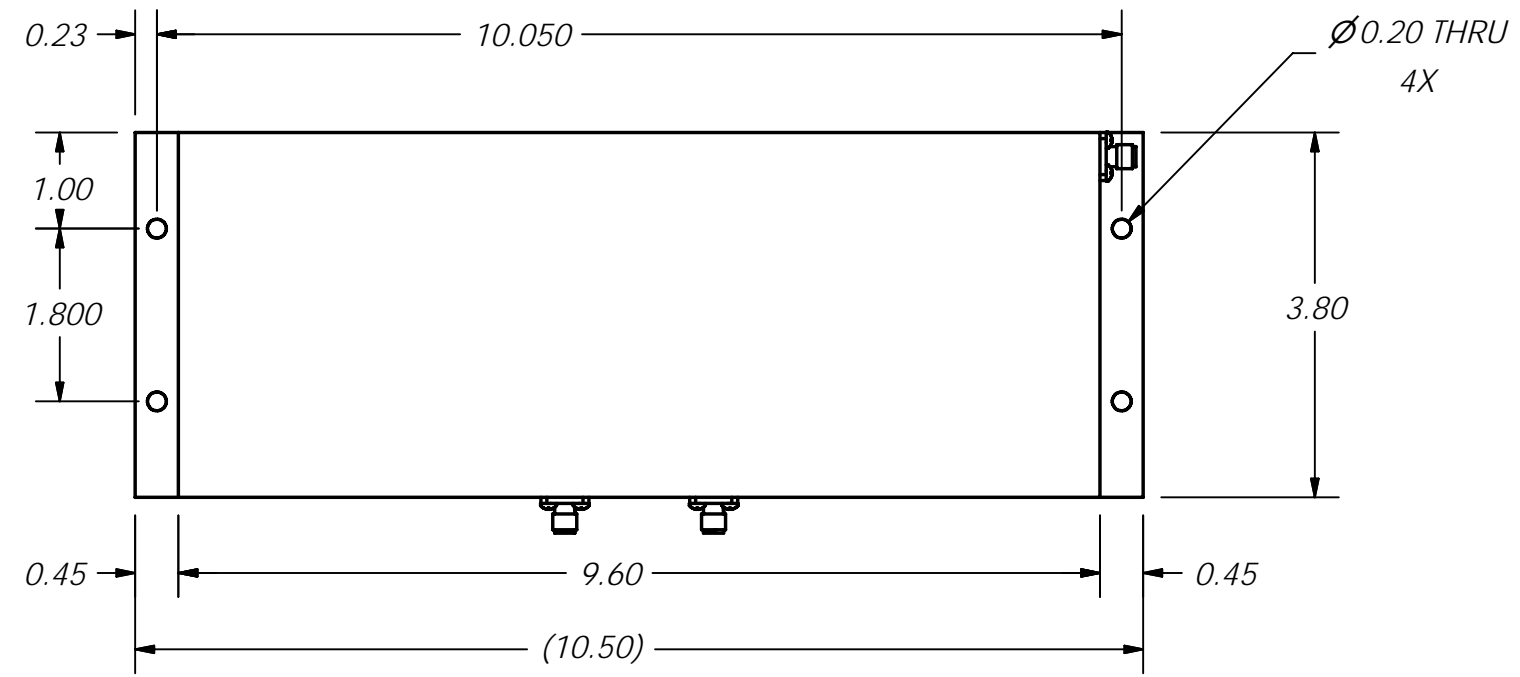


THIS DOCUMENT CONTAINS INFORMATION PROPRIETARY TO DELTA MICROWAVE. ANY REPRODUCTION WITHOUT WRITTEN PERMISSION IS EXPRESSLY PROHIBITED.

ZONE	REV	DESCRIPTION	DATE	APPROVED
	A	PRELIMINARY RELEASE	08/21/06	D.R.B.
	B	ECO#107076	09/21/06	




2. MARKING: USING LABEL OR BLACK WORNOW INK TO INCLUDE:
DELTA MICROWAVE, MODEL NO., SERIAL NO.,
CODE IDENT. NO. 51719 AND DATE CODE

1: FINISH: HAZE GRAY EPOXY POLYAMIDE TOPCOAT
PER MIL-DTL-24441C, SUP.1
MIL-DTL-24441/21, TYP 3, FORMULA 151
USING GREEN EPOXY POLYAMIDE PRIMER
MIL-DTL-24441/20, TYP 3, FORMULA 150

NOTES:

UNLESS OTHERWISE SPECIFIED DIMENSIONS ARE IN INCHES TOLERANCES ARE: FRACTIONS DECIMALS ANGLES + .xx ± .03 + - .xxx ± .010 -			CONTRACT NO. U5995	
MATERIAL			APPROVALS	DATE
FINISH			DRAWN J.A. DE HORTA	08/21/06
USED ON MODEL#			REVISED	
DO NOT SCALE DRAWING			CHECKED	
			APPROVED	

 Delta Microwave Inc. 1301 VANGUARD DRIVE OXNARD, CA 93033			TITLE	
			<i>U5995 OUTLINE</i>	
SIZE	CODE IDENT NO.	DWG NO		
B	51719	<i>U5995</i>		
SCALE	SHEET	1	OF	1