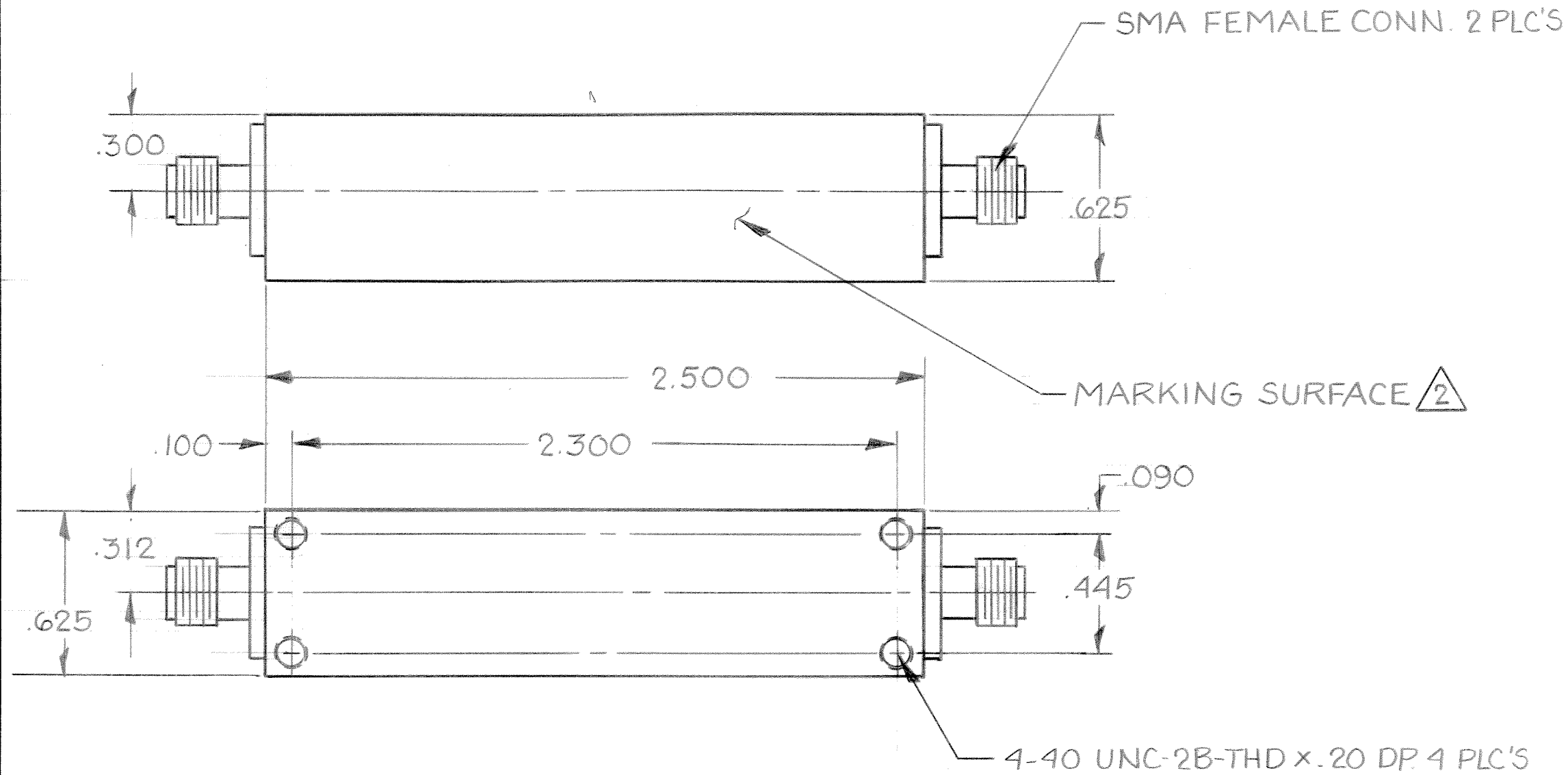


THIS DOCUMENT CONTAINS INFORMATION PROPRIETARY TO DELTA MICROWAVE. ANY REPRODUCTION OF THIS DOCUMENT WITHOUT WRITTEN PERMISSION IS EXPRESSLY PROHIBITED.

REVISIONS				
ZONE	LTR	DESCRIPTION	DATE	APPROVED
	A	RELEASED	10-11-83	



$\triangle 2$ MARKING: USING BLACK WORNOW INK TO INCLUDE DELTA MICROWAVE, 51719, X1535, SERIAL NO. AND DATE CODE.

$\triangle 1$ FINISH: GREY POLYURETHANE COATING PER MIL-C-81773(AS), COLOR NO. 16440. USING EPOXY PRIMER (MIL-P-23377C) PAINT PER FED-STD 595.

NOTES:

QTY REQD	CODE IDENT	PART OR IDENTIFYING NO.	NOMENCLATURE OR DESCRIPTION	MATERIAL SPECIFICATION
PARTS LIST				
UNLESS OTHERWISE SPECIFIED DIMENSIONS ARE IN INCHES TOLERANCES ARE: FRACTIONS DECIMALS ANGLES $\pm 1/64$.XX $\pm .01$ $\pm 1/2^\circ$.XXX $\pm .005$			CONTRACT NO.	
MATERIAL			APPROVALS	DATE
FINISH $\triangle 1$			DRAWN <i>J. Alvey</i>	10-12-83
DO NOT SCALE DRAWING			CHECKED	
			DELTA MICROWAVE 840 VIA ALONDRA CAMARILLO, CALIFORNIA 93010	
			BANDPASS FILTER OUTLINE	
SIZE		CODE IDENT NO.	DRAWING NO.	
B		51719	X1535	
SCALE 2/1			SHEET OF	