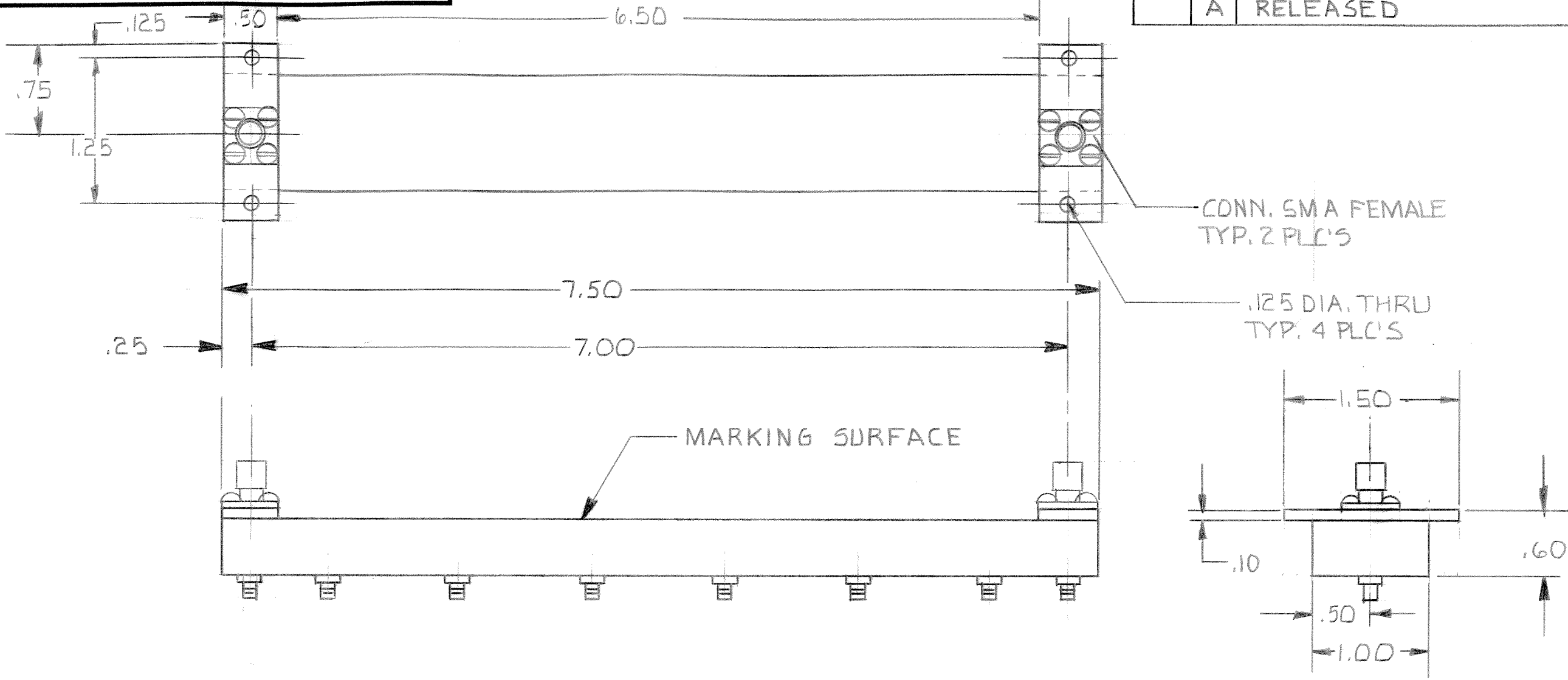


THIS DOCUMENT CONTAINS INFORMATION PROPRIETARY TO DELTA MICROWAVE. ANY REPRODUCTION OF THIS DOCUMENT WITHOUT WRITTEN PERMISSION IS EXPRESSLY PROHIBITED.

REVISIONS				
ZONE	LTR	DESCRIPTION	DATE	APPROVED
	A	RELEASED	8-29-85	<i>[Signature]</i>



- 2. MARKING:** USING BLACK WORNOW INK, TO INCLUDE DELTA MICROWAVE, MODEL NO. X1537 SERIAL NO., CODE INDET NO. 51719 AND DATE CODE
- 1. FINISH:** GREY POLYURETHANE COATING PER MIL-C-81773 (AS) COLOR NO. 16440, PER FED STD 595 USING EPOXY PRIMER MIL-P-23377C

NOTES

QTY REQD	CODE IDENT	PART OR IDENTIFYING NO.	NOMENCLATURE OR DESCRIPTION	MATERIAL SPECIFICATION
PARTS LIST				
UNLESS OTHERWISE SPECIFIED DIMENSIONS ARE IN INCHES TOLERANCES ARE:		CONTRACT NO.		
FRACTIONS DECIMALS ANGLES		APPROVALS		
± NA .XX ± .03 ± NA		DATE		
.XXX ± .010		DRAWN <i>D.L. JONES</i> 8-29-85		
MATERIAL		CHECKED <i>[Signature]</i> 9-1-85		
FINISH <i>1 2</i>		DELTA MICROWAVE 840 VIA ALONDRA CAMARILLO, CALIFORNIA 93010		
DO NOT SCALE DRAWING		BANDPASS FILTER OUTLINE		
		SIZE	CODE IDENT NO.	DRAWING NO.
		B	51719	X1537
		SCALE FULL	SHEET OF	