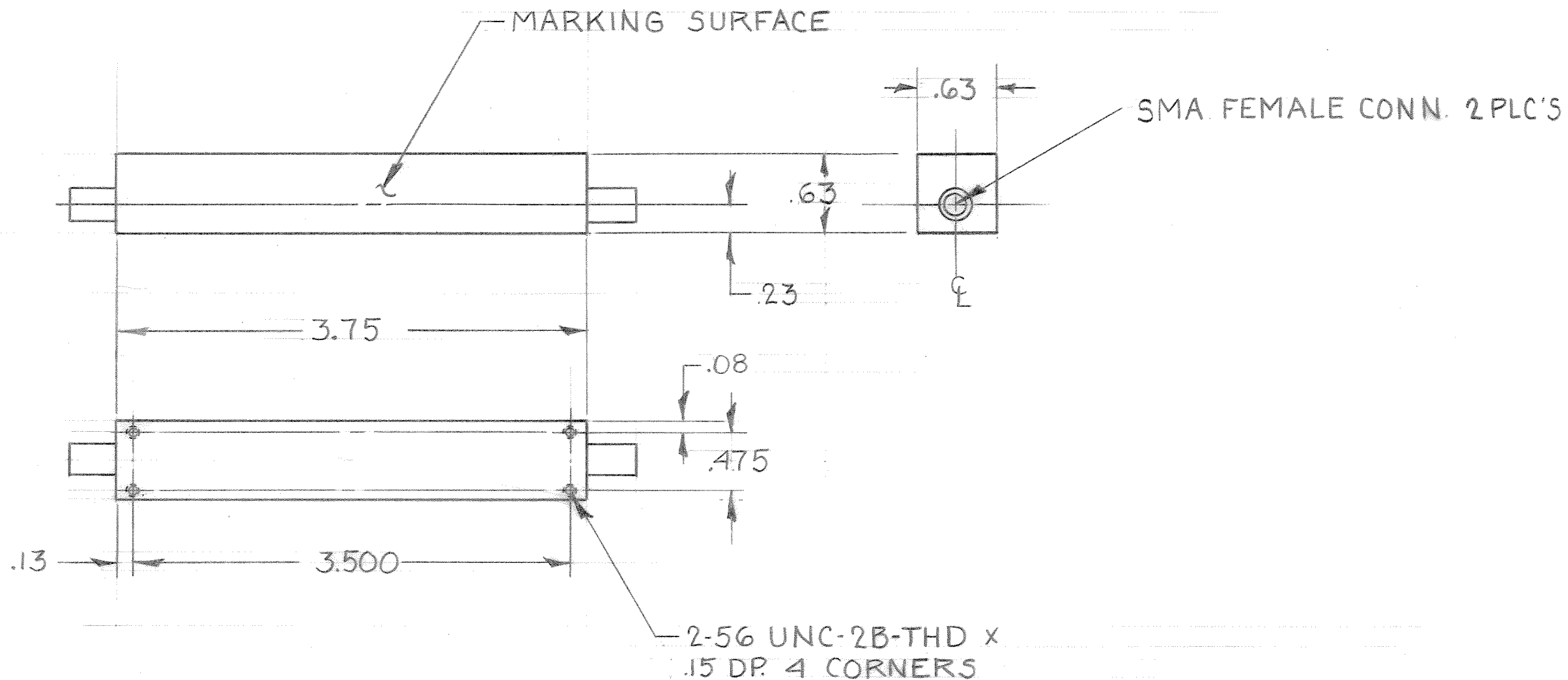


THIS DOCUMENT CONTAINS INFORMATION PROPRIETARY TO DELTA MICROWAVE. ANY REPRODUCTION OF THIS DOCUMENT WITHOUT WRITTEN PERMISSION IS EXPRESSLY PROHIBITED.

REVISIONS				
ZONE	LTR	DESCRIPTION	DATE	APPROVED
	A	RELEASED	4-25-84	<i>[Signature]</i>



2. MARKING: USING BLACK WORKING INK, TO INCLUDE DELTA MICROWAVE, MODEL NO. X1604 SERIAL NO., CODE INDET NO. 51719 AND DATE CODE

1. FINISH: GREY POLYURETHANE COATING PER MIL-C-81773 (AS) COLOR NO. 16440, PER FED STD 595 USING EPOXY PRIMER MIL-P-23377C

NOTES:

QTY REQD	CODE IDENT	PART OR IDENTIFYING NO.	NOMENCLATURE OR DESCRIPTION	MATERIAL SPECIFICATION
PARTS LIST				
UNLESS OTHERWISE SPECIFIED DIMENSIONS ARE IN INCHES TOLERANCES ARE: FRACTIONS DECIMALS ANGLES ± .XX ±.03 ± ± .XXX ±.01		CONTRACT NO.	DELTA MICROWAVE 840 VIA ALONDRA CAMARILLO, CALIFORNIA 93010	
MATERIAL		APPROVALS	DATE	BANDPASS FILTER
FINISH		<i>J. Alvey</i>	4-25-84	
DO NOT SCALE DRAWING		CHECKED	DATE	SIZE
		<i>[Signature]</i>	4-25-84	CODE IDENT NO.
				DRAWING NO.
				B 51719 X1604
				SCALE FULL
				SHEET OF