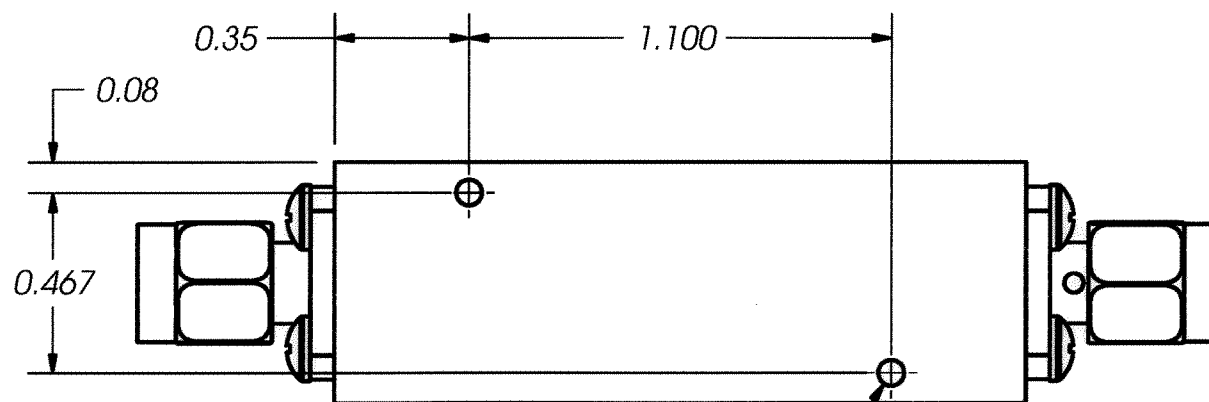
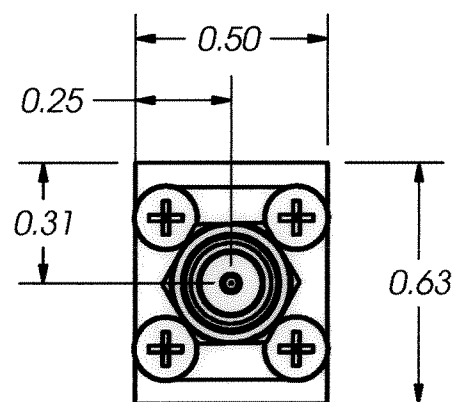
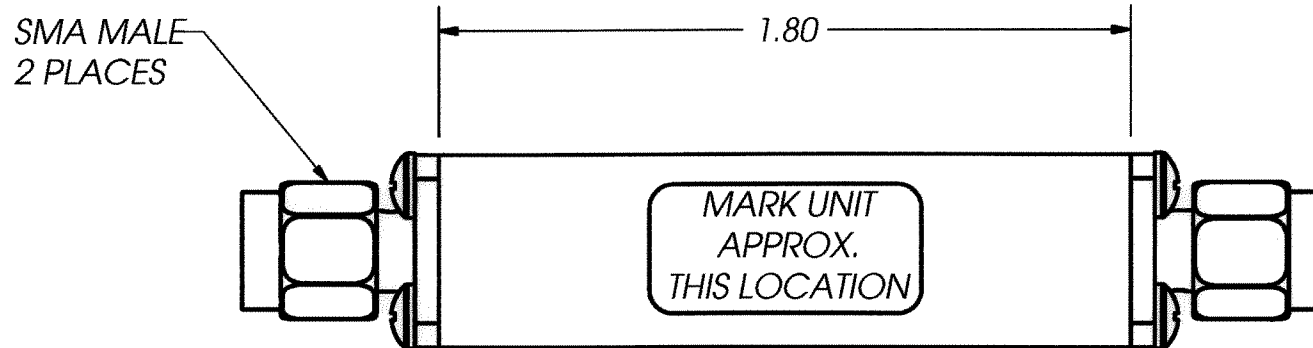


THIS DOCUMENT CONTAINS INFORMATION PROPRIETARY TO DELTA MICROWAVE. ANY REPRODUCTION WITHOUT WRITTEN PERMISSION IS EXPRESSLY PROHIBITED.

ZONE	REV	DESCRIPTION	DATE	APPROVED
	A	RELEASED	10/15/03	R.E.S.
	B	ECO#106278	10/22/03	



2-56 UNC - 2B  $\nabla$  .25  
2 PLACES

2. MARKING: USING CLEAR LABEL WITH BLACK CHARACTERS TO INCLUDE DELTA MICROWAVE, MODEL NO., SERIAL NO. CODE IDENT. NO. 51719 AND DATE CODE

1. FINISH: HAZE GRAY EPOXY POLYAMIDE TOPCOAT PER MIL-P-24441B TYP. 1 (AS) COLOR NO. 26270, FORMULA 151 PER MIL-P-24441/1C, QPL 24441-103 USING EPOXY POLYAMID PRIMER PER MIL-P-2441B TYP. 1 24272 GREEN FORMULA 150 PER MIL-P-24441/1C, QPL 24441-103

NOTES:

UNLESS OTHERWISE SPECIFIED DIMENSIONS ARE IN INCHES TOLERANCES ARE: FRACTIONS DECIMALS ANGLES + .xx ± .03 + - .xxx ± .010 -		CONTRACT NO. X1618	<b>DELTA MICROWAVE</b> 1301 VANGUARD DRIVE OXNARD, CA 93033	
MATERIAL		APPROVALS	DATE	TITLE
FINISH		DRAWN J.A. DEHORTA	10/16/03	X1618 OULINE
USED ON MODEL#		CHECKED	10/23/03	
DO NOT SCALE DRAWING		APPROVED	10/23/03	SIZE B
				CODE IDENT NO. 51719
				DWG NO. X1618
		SCALE 2:1		SHEET 1 OF 1