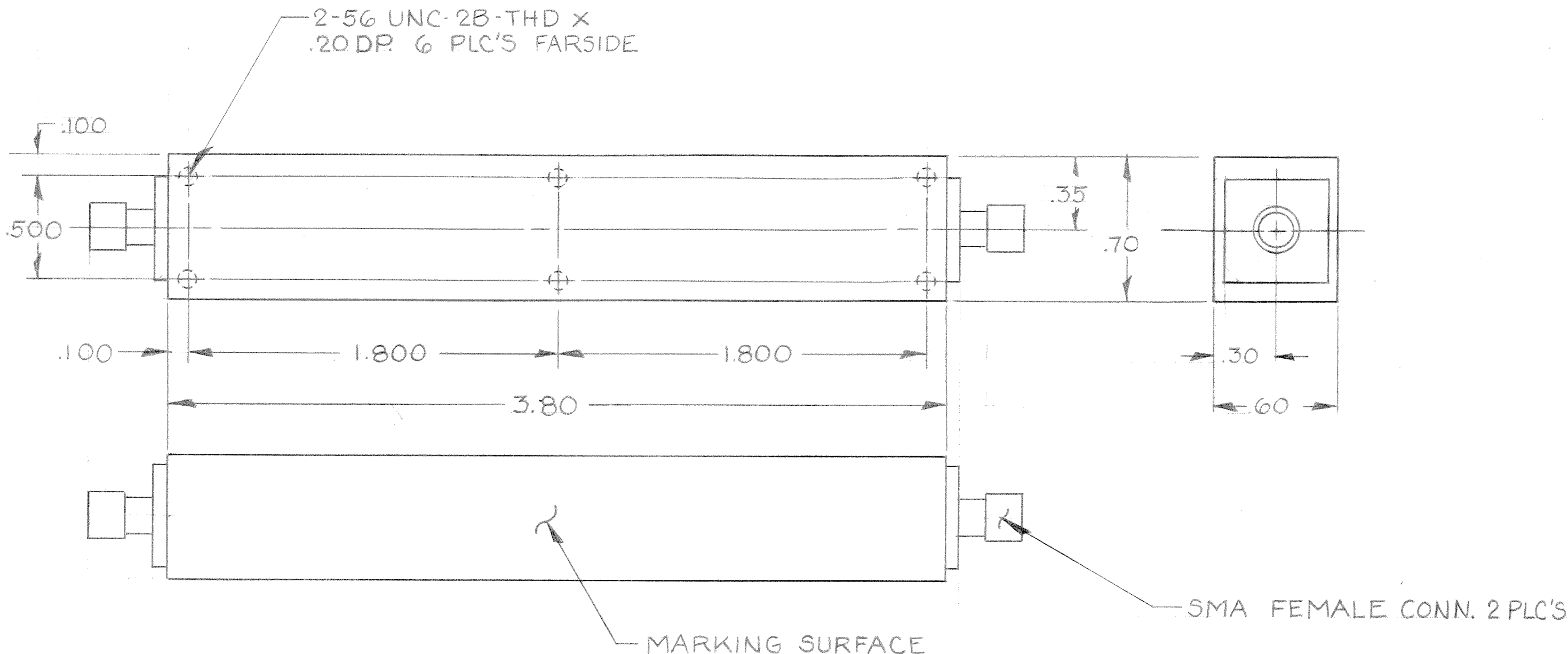


THIS DOCUMENT CONTAINS INFORMATION PROPRIETARY TO DELTA MICROWAVE. ANY REPRODUCTION OF THIS DOCUMENT WITHOUT WRITTEN PERMISSION IS EXPRESSLY PROHIBITED.

REVISIONS				
ZONE	LTR	DESCRIPTION	DATE	APPROVED
	A	RELEASED	11-17-83	<i>[Signature]</i>



2. MARKING: USING BLACK WORNOW INK, TO INCLUDE DELTA MICROWAVE, MODEL NO. X1802 SERIAL NO., CODE INDET NO. 51719 AND DATE CODE
1. FINISH: GREY POLYURETHANE COATING PER MIL-C-81773 (AS) COLOR NO. 16440, PER FED STD 595 USING EPOXY PRIMER MIL-P-23377C

NOTES:

QTY REQD	CODE IDENT	PART OR IDENTIFYING NO.	NOMENCLATURE OR DESCRIPTION	MATERIAL SPECIFICATION
PARTS LIST				
UNLESS OTHERWISE SPECIFIED DIMENSIONS ARE IN INCHES TOLERANCES ARE: FRACTIONS DECIMALS ANGLES ± .XX ±.01 ± .XXX ±.005		CONTRACT NO.	DELTA MICROWAVE 840 VIA ALONDRA CAMARILLO, CALIFORNIA 93010	
MATERIAL		APPROVALS <i>J. Alvey</i>	DATE 11-17-83	BANDPASS FILTER OUTLINE
FINISH		CHECKED <i>[Signature]</i>	DATE 11-21-83	
DO NOT SCALE DRAWING		SIZE B	CODE IDENT NO. 51719	DRAWING NO. X1802
		SCALE	SHEET OF	