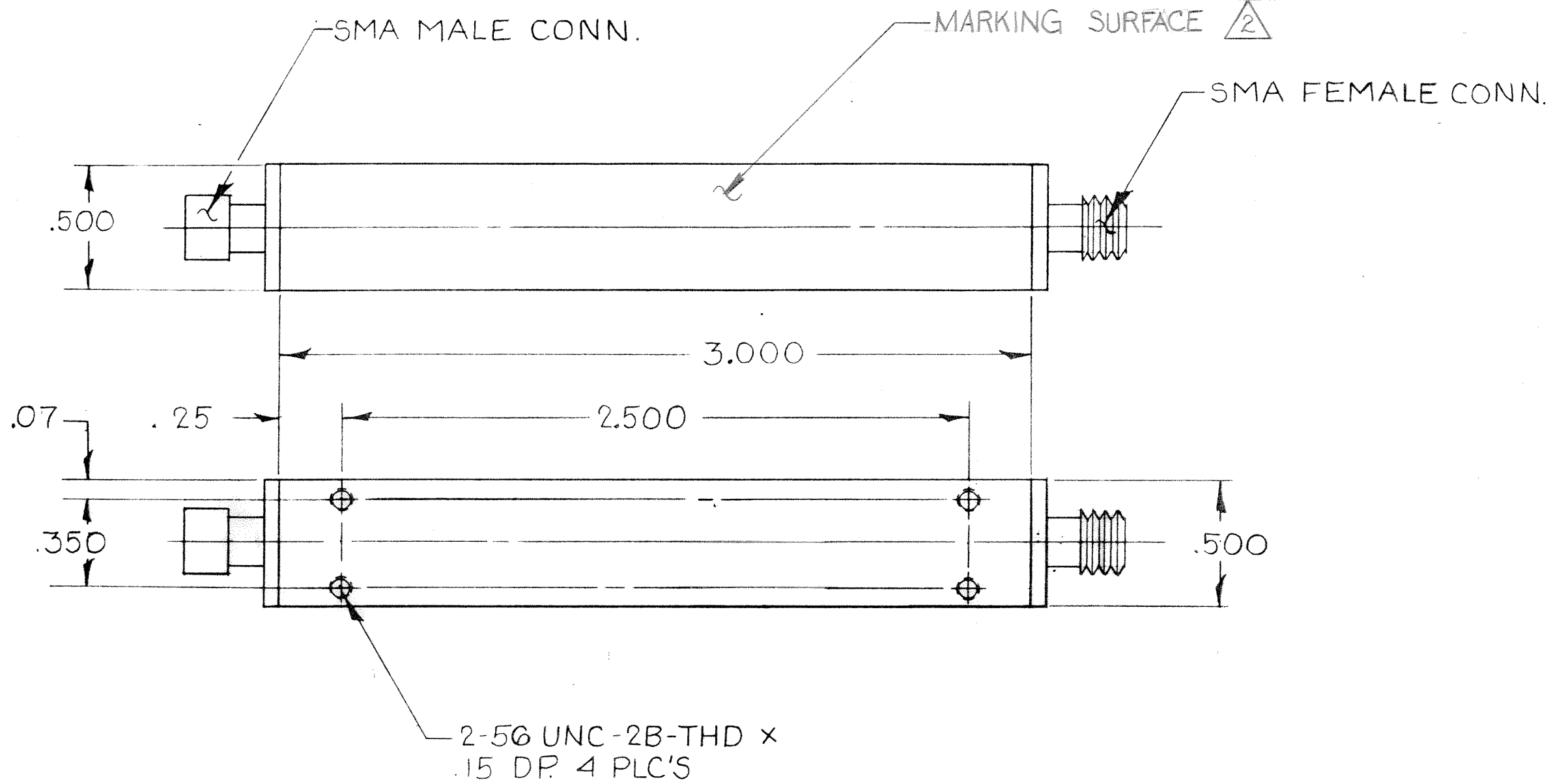


THIS DOCUMENT CONTAINS INFORMATION PROPRIETARY TO DELTA MICROWAVE. ANY REPRODUCTION OF THIS DOCUMENT WITHOUT WRITTEN PERMISSION IS EXPRESSLY PROHIBITED.

REVISIONS				
ZONE	LTR	DESCRIPTION	DATE	APPROVED
	A	RELEASED	4-6-84	<i>[Signature]</i>
	B	ECO# 101371	7-2-84	<i>[Signature]</i>



- 2.** MARKING: USING BLACK WORNOW INK, TO INCLUDE DELTA MICROWAVE, MODEL NO. X1804 SERIAL NO., CODE INDET NO. 51719 AND DATE CODE
- 1.** FINISH: GREY POLYURETHANE COATING PER MIL-C-81773 (AS) COLOR NO. 16440, PER FED STD 595 USING EPOXY PRIMER MIL-P-23377C

NOTES:

QTY REQD	CODE IDENT	PART OR IDENTIFYING NO.	NOMENCLATURE OR DESCRIPTION	MATERIAL SPECIFICATION	
PARTS LIST					
UNLESS OTHERWISE SPECIFIED DIMENSIONS ARE IN INCHES, TOLERANCES ARE: FRACTIONS DECIMALS ANGLES ± .XX ± .03 ± .XXX ± .01			DELTA MICROWAVE <small>840 VIA ALONDRA CAMARILLO, CALIFORNIA 93010</small>		
CONTRACT NO.		BANDPASS FILTER OUTLINE			
APPROVALS					
DATE					
DRAWN <i>J. Alvey</i> 4-6-84					
MATERIAL		CHECKED <i>[Signature]</i> 4-6-84		SIZE	
FINISH		CODE IDENT NO.		DRAWING NO.	
DO NOT SCALE DRAWING		B		51719	X1804
		SCALE 2/1		SHEET OF	