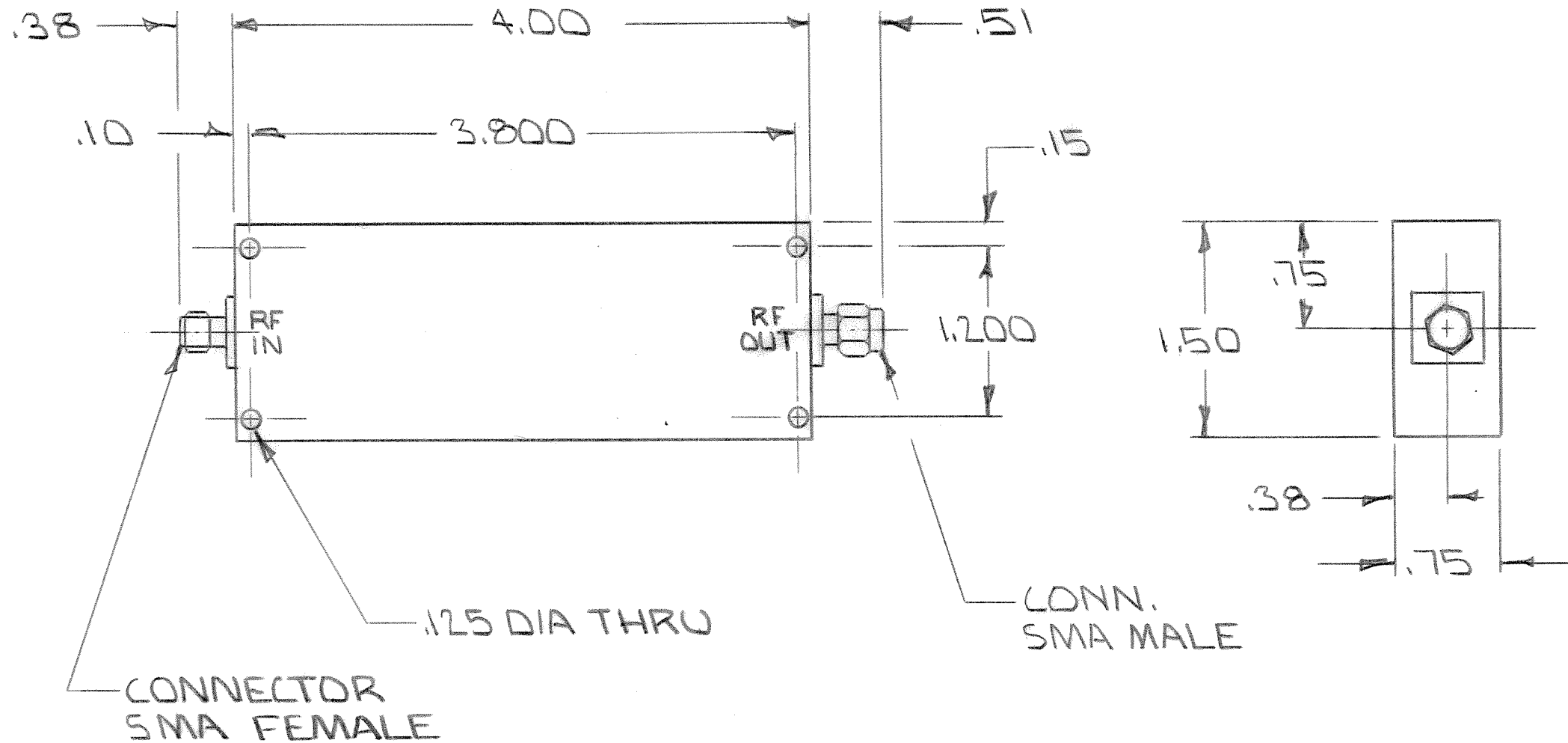


THIS DOCUMENT CONTAINS INFORMATION PROPRIETARY TO DELTA MICROWAVE. ANY REPRODUCTION OF THIS DOCUMENT WITHOUT WRITTEN PERMISSION IS EXPRESSLY PROHIBITED.

REVISIONS				
ZONE	LTR	DESCRIPTION	DATE	APPROVED
	1	RELEASED	6-30-85	<i>[Signature]</i>



2. MARKING: USING BLACK WORNOW INK, TO INCLUDE DELTA MICROWAVE, MODEL NO. SERIAL NO., CODE INDET. NO. 51719 AND DATE CODE, FREQ 9.5-10 GHz
1. FINISH: GREY POLYURETHANE COATING PER MIL-C-81773 (AS) COLOR NO. 16440, PER FED STD 595 USING EPOXY PRIMER MIL-P-23377C

NOTES

QTY REQD	CODE IDENT	PART OR IDENTIFYING NO.	NOMENCLATURE OR DESCRIPTION	MATERIAL SPECIFICATION
PARTS LIST				
UNLESS OTHERWISE SPECIFIED DIMENSIONS ARE IN INCHES TOLERANCES ARE:		CONTRACT NO. <b>X1805</b>		<b>DELTA MICROWAVE</b> 840 VIA ALONDRA CAMARILLO, CALIFORNIA 93010
FRACTIONS DECIMALS ANGLES ± 1/16 .XX ± .01 ± 30'		APPROVALS	DATE	
MATERIAL		DRAWN <i>[Signature]</i>	6-30-87	<b>OUTLINE</b>
FINISH		CHECKED <i>[Signature]</i>	6-30-87	
DO NOT SCALE DRAWING		SIZE	CODE IDENT NO.	DRAWING NO.
		<b>B</b>	<b>51719</b>	<b>X1805</b>
		SCALE 1:1	SHEET 1 OF 1	