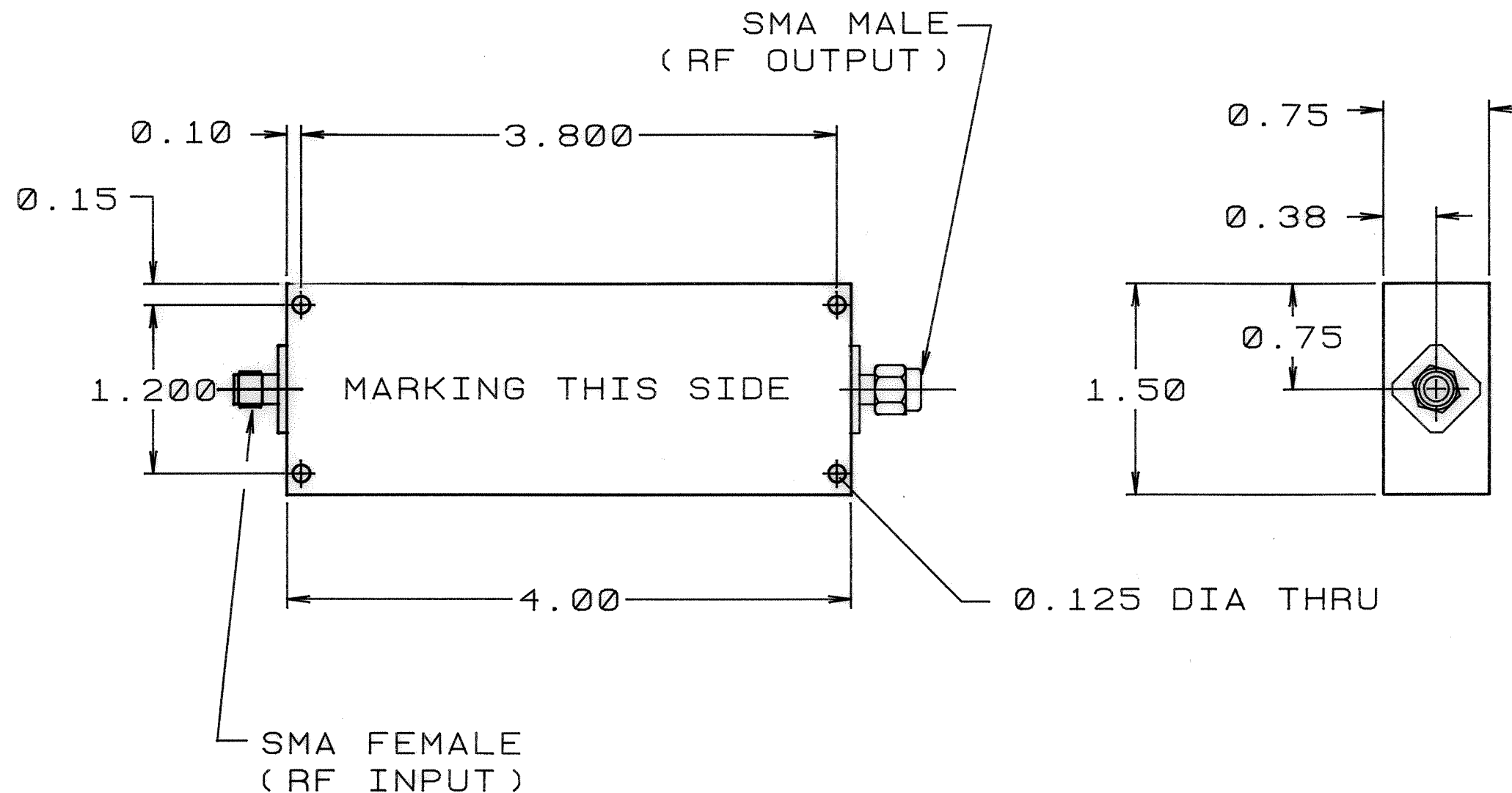


THIS DOCUMENT CONTAINS INFORMATION PROPRIETARY TO DELTA MICROWAVE. ANY REPRODUCTION OF THIS DOCUMENT WITHOUT WRITTEN PERMISSION IS EXPRESSLY PROHIBITED.

REVISIONS				
ZONE	LTR	DESCRIPTION	DATE	APPROVED
	A	RELEASED	12/22/92	



2. MARKING: USING BLACK WORNOW INK, TO INCLUDE:  
64625ASSYR50-0071-002  
DELTA MICROWAVE, MODEL NO., SERIAL NO.,  
CODE IDENT. NO. 51719 AND DATE CODE.

1. FINISH: GREY POLYURETHANE COATING PER MIL-C-81773  
(AS) COLOR NO. 16440, PER FED-STD-595  
USING EPOXY PRIMER PER MIL-P-23377C

NOTES:

QTY REQD	CODE IDENT	PART OR IDENTIFYING NO.	NOMENCLATURE OR DESCRIPTION	MATERIAL SPECIFICATION
PARTS LIST				
UNLESS OTHERWISE SPECIFIED DIMENSIONS ARE IN INCHES TOLERANCES ARE: FRACTIONS DECIMALS ANGLES ± .XX ± .01 ± .XXX ± .005		CONTRACT NO. X1949-2	DELTA MICROWAVE 840 VIA ALONDRA CAMARILLO, CALIFORNIA 93010	
MATERIAL		APPROVALS 	DATE 12/22/92	OUTLINE DRAWING
FINISH 		CHECKED 	12/25/92	
DO NOT SCALE DRAWING		SIZE B	CODE IDENT NO. 51719	DRAWING NO. X1949-2
			SCALE 1:1	SHEET 1 OF 1