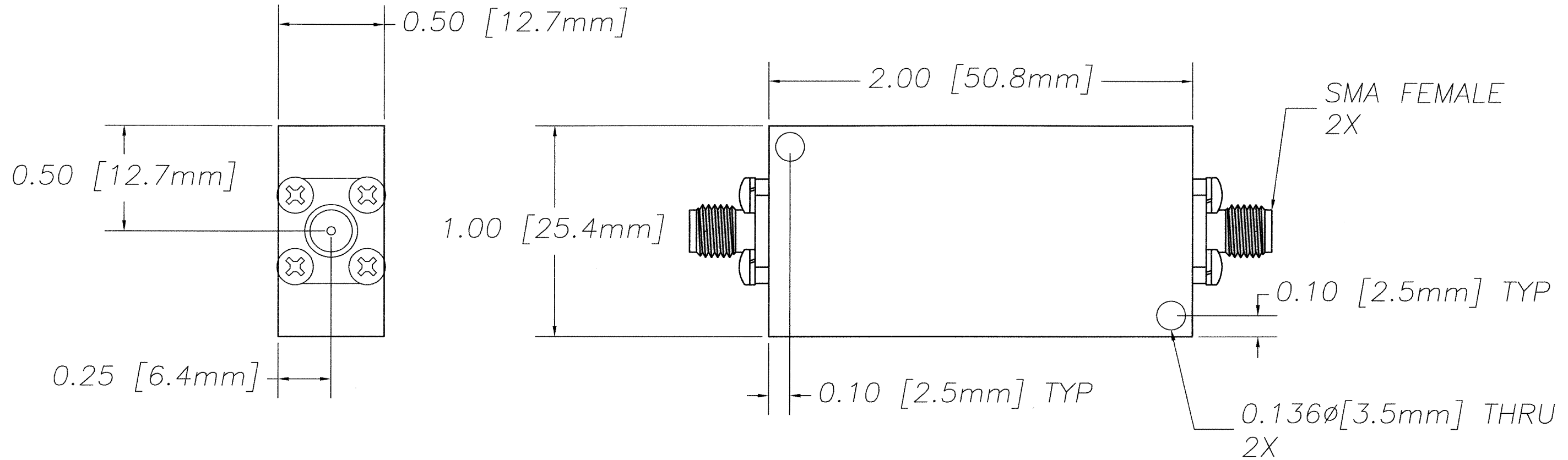


THIS DOCUMENT CONTAINS INFORMATION PROPRIETARY TO DELTA MICROWAVE. ANY REPRODUCTION OF THIS DOCUMENT WITHOUT WRITTEN PERMISSION IS EXPRESSLY PROHIBITED.

REVISIONS				
ZONE	REV	DESCRIPTION	DATE	APPROVED
	A	RELEASED	04/28/99	



2. MARKING: USING BLACK WARMOW INK TO INCLUDE:
DELTA MICROWAVE, MODEL NO., SERIAL NO.,
CODE IDENT. NO. 51719 AND DATE CODE

1: FINISH: HAZE GRAY EPOXY POLYAMIDE TOPCOAT
PER MIL-P-24441B TYP.1
(AS)COLOR NO.26270,FORMULA 151
PER MIL-P-24441/1C,QPL 24441-103
USING EPOXY POLYAMIDE PRIMER
PER MIL-P-24441B TYP.1 24272 GREEN
FORMULA 150 PER MIL-P-24441/1C,QPL 24441-103

NOTES:

QTY REQD	CODE IDENT	PART OR IDENTIFYING NO.	NOMENCLATURE OR DESCRIPTION	MATERIAL SPECIFICATION
PARTS LIST				
UNLESS OTHERWISE SPECIFIED DIMENSIONS ARE IN INCHES TOLERANCES ARE: FRACTIONS DECIMALS ANGLES + .XX ± .03 + - .XXX ± .010 -		CONTRACT NO. X2308	DELTA MICROWAVE 1301 VANGUARD DR. OXNARD CALIFORNIA 93033	
MATERIAL		APPROVALS	DATE	TITLE
FINISH		DRAWN D.R.BOWLER	04/28/99	OUTLINE
DO NOT SCALE DRAWING		CHECKED 		SIZE B
		APPROVED 		CODE IDENT NO. 51719
				DRAWING NO. X2308
				SCALE 2/1
				SHEET 1 OF 1