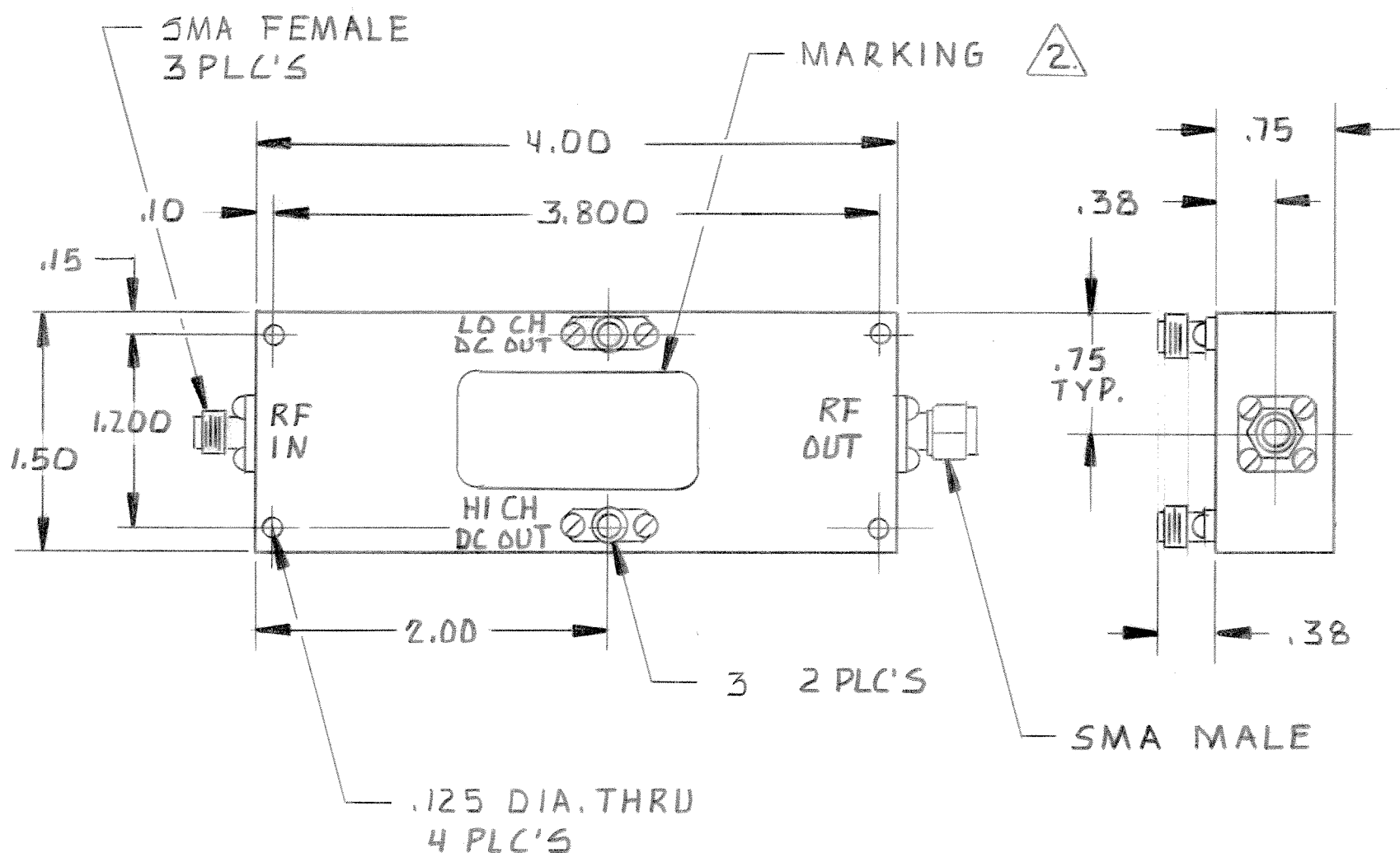


THIS DOCUMENT CONTAINS INFORMATION PROPRIETARY TO DELTA MICROWAVE. ANY REPRODUCTION OF THIS DOCUMENT WITHOUT WRITTEN PERMISSION IS EXPRESSLY PROHIBITED.

REVISIONS				
ZONE	LTR	DESCRIPTION	DATE	APPROVED
	A	RELEASED	5-1-86	



SPECIFICATIONS

- PASS BAND 6.8 TO 7.2 GHz
10.0 TO 10.4 GHz
- INSERTION LOSS PASS BAND 1.0 dB MAX.
- BAND STOP REGIONS 4.0 TO 6.5 GHz
7.5 TO 9.5 GHz
- ATTENUATION BAND STOP REGIONS 40 dB MIN.
- POWER HANDLING CAPACITY +26 dB MIN.
- DETECTOR OUTPUTS: WHEN TERMINATED WITH A 1.5K ohm LOAD, THE DETECTOR OUTPUTS SHALL BE AS FOLLOWS.

FREQ (GHz)	INPUT POWER (dBm)	HIGH CH (VOLTS)	LOW CH (VOLTS)
4.0 TO 6.5	+5	.001 MAX	.001 MAX
6.8 TO 7.2	+5	.001 MAX	.045 MAX
7.5 TO 9.5	+5	.001 MAX	.001 MAX
10.0 TO 10.4	+5	.045 MAX	.001 MAX

3. EXTERNAL LOAD RESISTOR REQUIRED.

MARKING: USING BLACK WORKING INK, TO INCLUDE DELTA MICROWAVE, MODEL NO. X2504 SERIAL NO., CODE IDENT NO. 51719 AND DATE CODE.

FINISH: GREY POLYURETHANE COATING PER MIL-C-81773 (AS) COLOR NO. 16440, PER FED STD 595 USING EPOXY PRIMER MIL-P-23377C

NOTES!

QTY REQD	CODE IDENT	PART OR IDENTIFYING NO.	NOMENCLATURE OR DESCRIPTION	MATERIAL SPECIFICATION
PARTS LIST				
UNLESS OTHERWISE SPECIFIED DIMENSIONS ARE IN INCHES TOLERANCES ARE: FRACTIONS DECIMALS ANGLES ± NA .XX ±.03 ±NA .XXX ±.010		CONTRACT NO.		DELTA MICROWAVE 840 VIA ALONDRA CAMARILLO, CALIFORNIA 93010
MATERIAL		APPROVALS	DATE	
FINISH		DRAWN <i>D.L. JONES</i>	5-1-86	
DO NOT SCALE DRAWING		CHECKED <i>[Signature]</i>	5-2-86	
		SIZE B	CODE IDENT NO. 51719	DRAWING NO. X2504
		SCALE FULL	SHEET 1 OF 1	