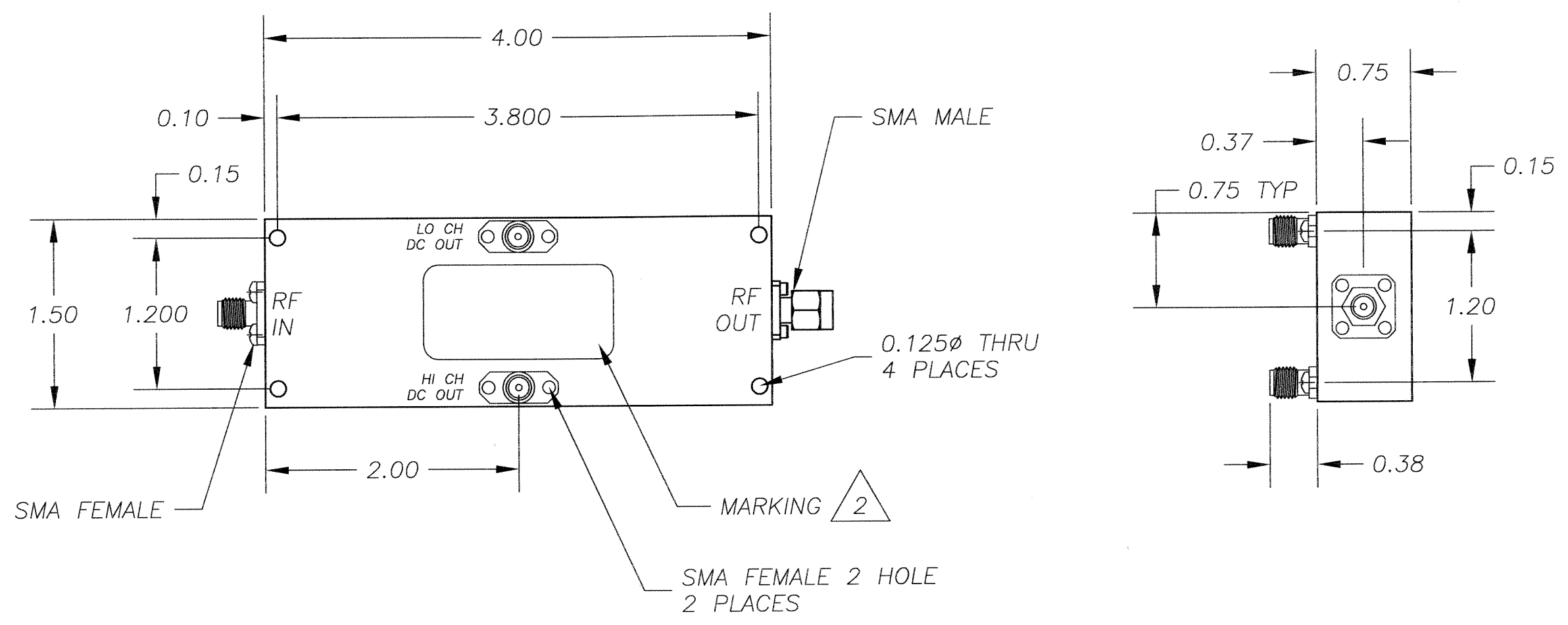


THIS DOCUMENT CONTAINS INFORMATION PROPRIETARY TO DELTA MICROWAVE. ANY REPRODUCTION OF THIS DOCUMENT WITHOUT WRITTEN PERMISSION IS EXPRESSLY PROHIBITED.

REVISIONS				
ZONE	REV	DESCRIPTION	DATE	APPROVED
	A	RELEASED	05/01/86	R.E.S.
	B	ECO#102802	10/02/90	<i>[Signature]</i>
	C	ECO#105627	5/11/01	<i>[Signature]</i>



2. MARKING: USING BLACK WARNOW INK TO INCLUDE: DELTA MICROWAVE, MODEL NO., SERIAL NO., CODE IDENT. NO. 51719 AND DATE CODE

1: FINISH: HAZE GRAY EPOXY POLYAMIDE TOPCOAT PER MIL-P-24441B TYP.1 (AS)COLOR NO.26270, FORMULA 151 PER MIL-P-24441/1C, QPL 24441-103 USING EPOXY POLYAMIDE PRIMER PER MIL-P-24441B TYP.1 24272 GREEN FORMULA 150 PER MIL-P-24441/1C, QPL 24441-103

NOTES:

QTY REQD	CODE IDENT	PART OR IDENTIFYING NO.	NOMENCLATURE OR DESCRIPTION		MATERIAL SPECIFICATION
PARTS LIST					
UNLESS OTHERWISE SPECIFIED DIMENSIONS ARE IN INCHES TOLERANCES ARE:			CONTRACT NO. X2506		<b>DELTA microwave</b> 1301 VANGUARD DR. OXNARD CALIFORNIA 93033
FRACTIONS	DECIMALS	ANGLES	APPROVALS	DATE	
+	.XX ±.03	+	DRAWN N.CASTRO	05/11/01	TITLE <b>OUTLINE</b>
-	.XXX ±.010	-	CHECKED <i>[Signature]</i>	<i>[Signature]</i>	
MATERIAL			APPROVED <i>[Signature]</i>	6-15-01	SIZE B
FINISH					CODE IDENT NO. 51719
DO NOT SCALE DRAWING					DRAWING NO. X2506
				SCALE FULL	SHEET 1 OF 1