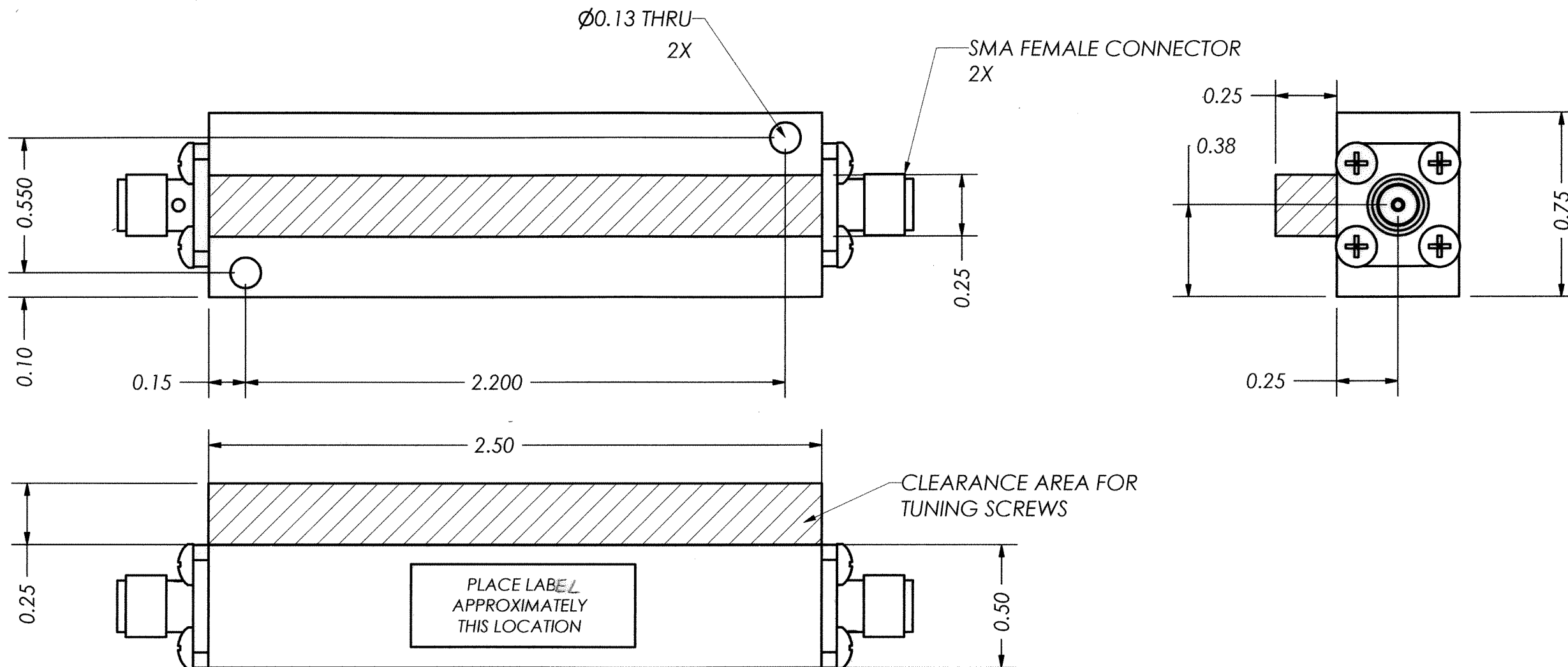


THIS DOCUMENT CONTAINS INFORMATION PROPRIETARY TO DELTA MICROWAVE. ANY REPRODUCTION WITHOUT WRITTEN PERMISSION IS EXPRESSLY PROHIBITED.

ZONE	REV	DESCRIPTION	DATE	APPROVED
	A	FIRST RELEASE	08/28/03	



2. MARKING: USING CLEAR LABEL WITH BLACK CHARACTERS TO INCLUDE DELTA MICROWAVE, MODEL NO., SERIAL NO. CODE IDENT. NO. 51719 AND DATE CODE

1. FINISH: HAZE GRAY EPOXY POLYAMIDE TOPCOAT PER MIL-P-24441B TYP. 1 (AS) COLOR NO. 26270, FORMULA 151 PER MIL-P-24441/1C, QPL 24441-103 USING EPOXY POLYAMID PRIMER PER MIL-P-2441B TYP. 1 24272 GREEN FORMULA 150 PER MIL-P-24441/1C, QPL 24441-103

NOTES:

UNLESS OTHERWISE SPECIFIED DIMENSIONS ARE IN INCHES TOLERANCES ARE:		CONTRACT NO. X3906		DELTA MICROWAVE 1301 VANGUARD DRIVE OXNARD, CA 93033
FRACTIONS	DECIMALS	ANGLES	DATE	
+	.xx ± .03	+	08/23/08	X3906 OUTLINE
-	.xxx ± .010	-		
MATERIAL		CHECKED	8/29/03	
FINISH		APPROVED	8/28/03	SIZE B CODE IDENT NO. 51719 DWG NO. X3906
USED ON MODEL#	DO NOT SCALE DRAWING	SCALE 2:1		SHEET 1 OF 1