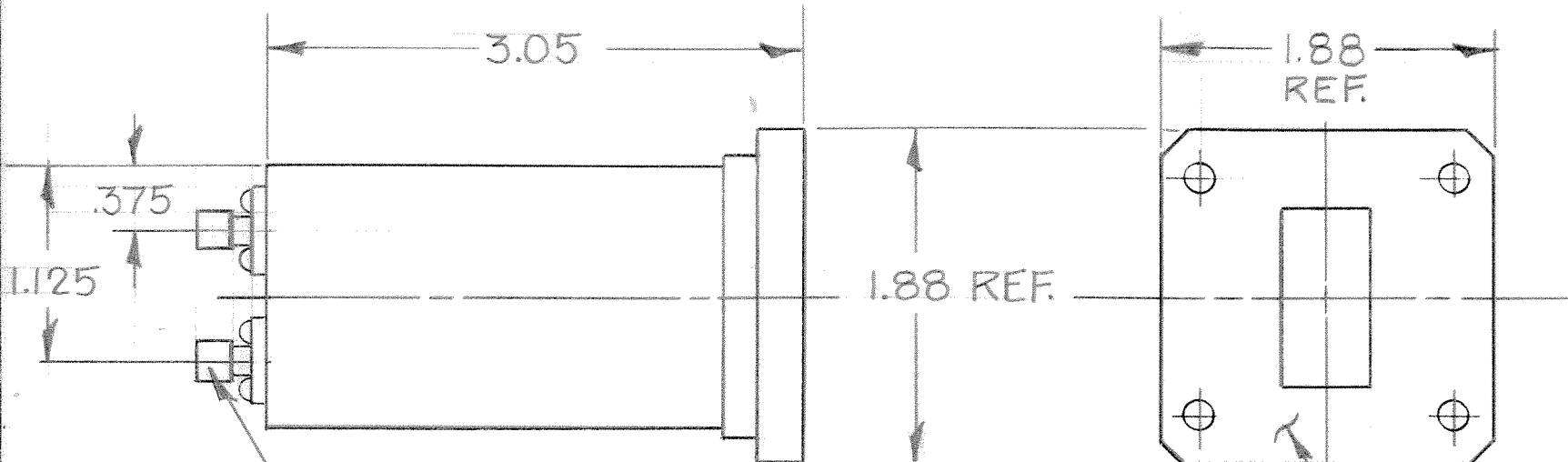


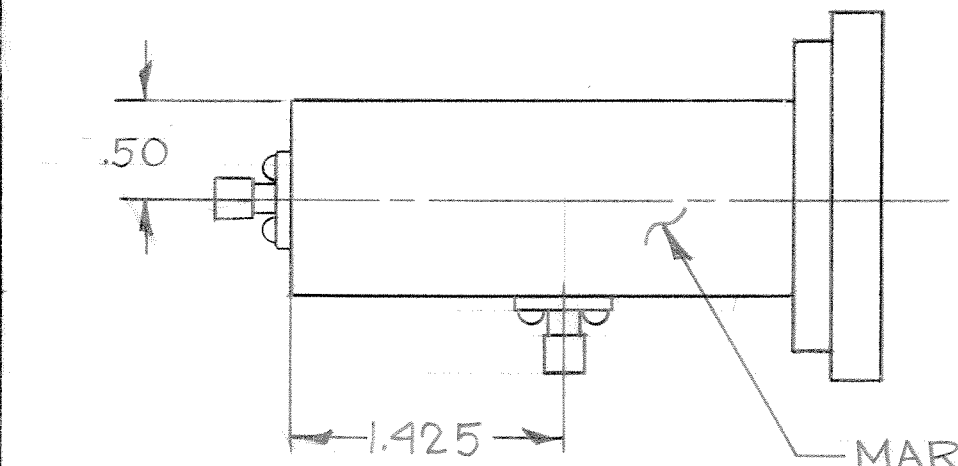
THIS DOCUMENT CONTAINS INFORMATION PROPRIETARY TO DELTA MICROWAVE. ANY REPRODUCTION OF THIS DOCUMENT WITHOUT WRITTEN PERMISSION IS EXPRESSLY PROHIBITED.

REVISIONS				
ZONE	LTR	DESCRIPTION	DATE	APPROVED
	A	RELEASED	4-13-83	<i>[Signature]</i>



SMA FEMALE CONN. 3 PLC'S

UG 138/U FLANGE



MARKING SURFACE

2. MARKING: BLACK WORNOW INK, TO INCLUDE DELTA MICROWAVE, 51719, X5303 OR X5304, SERIAL NO. & DATE CODE
1. FINISH: GREY POLYURETHANE COATING PER MIL-C-81773(A5) COLOR NO. 16440, PER MIL-STD 595.

QTY REQD	CODE IDENT	PART OR IDENTIFYING NO.	NOMENCLATURE OR DESCRIPTION	MATERIAL SPECIFICATION
PARTS LIST				
UNLESS OTHERWISE SPECIFIED DIMENSIONS ARE IN INCHES TOLERANCES ARE: FRACTIONS DECIMALS ANGLES $\pm 1/64$ XX $\pm .01$ $\pm 1/2^\circ$ XXX $\pm .005$		CONTRACT NO.		DELTA MICROWAVE 640 VIA ALONDRA CAMARILLO, CALIFORNIA 93010 199
		APPROVALS	DATE	
MATERIAL		DRAWN <i>J. Alvey</i>	4-13-83	BANDPASS FILTER OUTLINE
		CHECKED <i>[Signature]</i>	4-18-83	
FINISH		SIZE	CODE IDENT NO.	DRAWING NO.
		B	51719	X5303/X5304
DO NOT SCALE DRAWING		SCALE	SHEET	OF

NOTES: