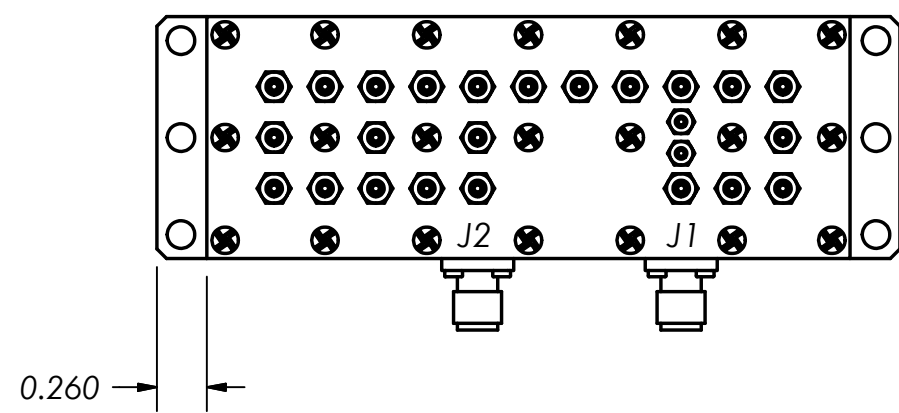
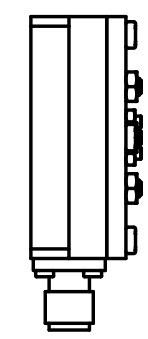
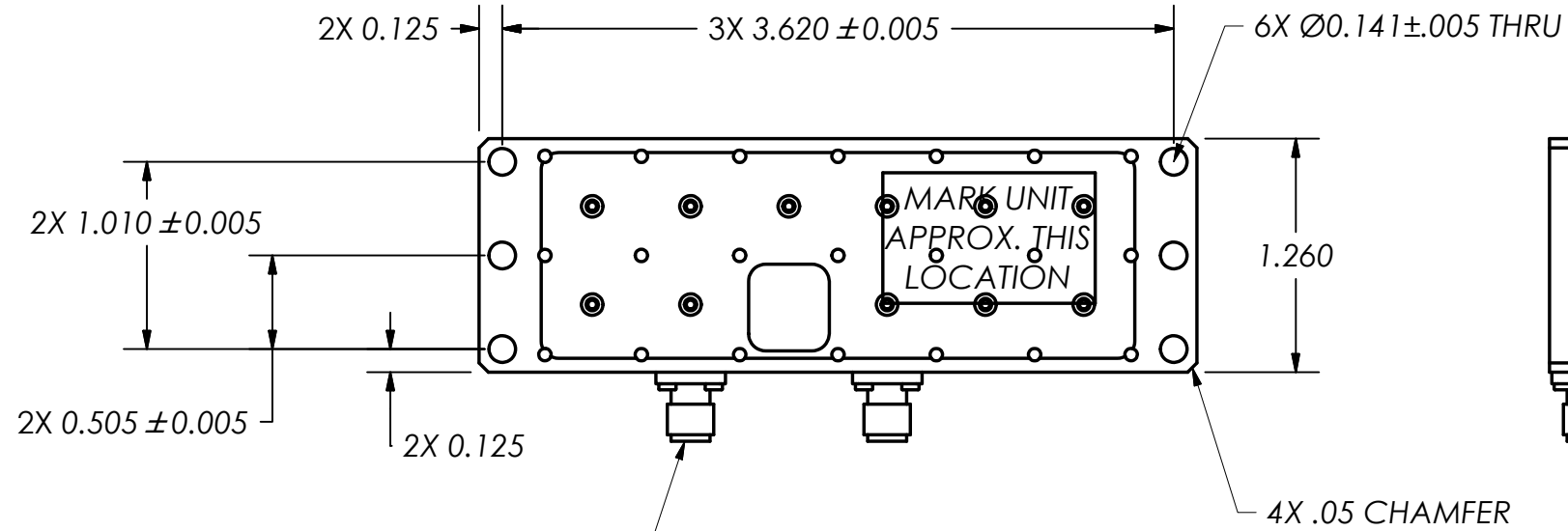
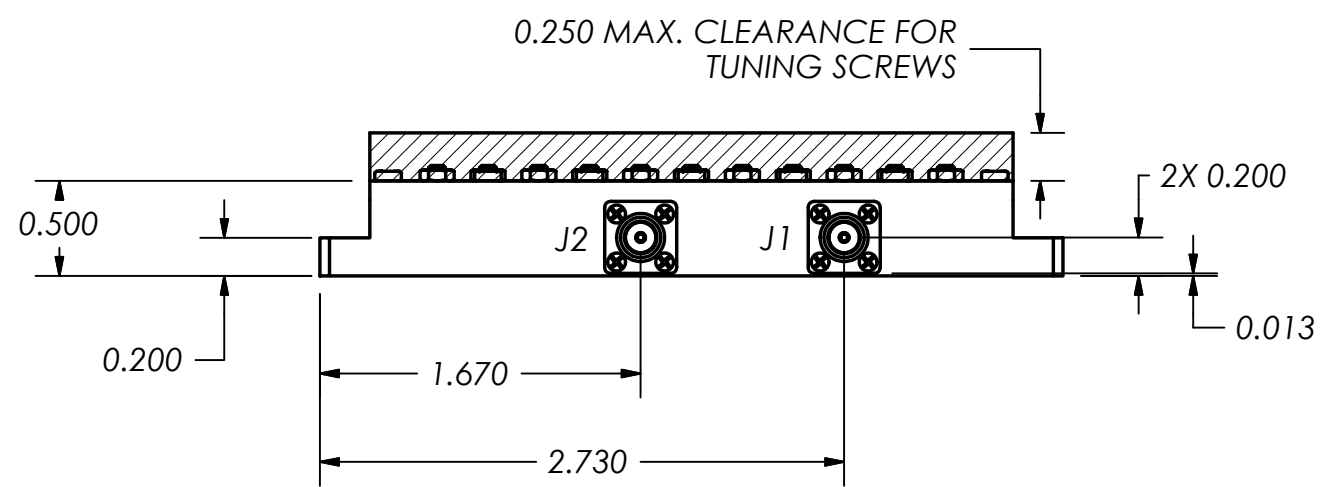


THIS DOCUMENT CONTAINS INFORMATION PROPRIETARY TO DELTA MICROWAVE. ANY REPRODUCTION WITHOUT WRITTEN PERMISSION IS EXPRESSLY PROHIBITED.

ZONE	REV	DESCRIPTION	DATE	APPROVED
	A	RELEASED	06/16/03	D.R.B.
	B	ECO# 106327	01/13/04	D.R.B.
	C	ECO#106351	02/12/04	D.R.B.
	D	ECO#106356	02/18/04	D.R.B.
	E	ECO#106595	11/03/04	D.R.B.
	F	ECO # 107873	07/16/09	M.J.
	G	ECO#107941	08/18/09	M.J.
	H	ECO# 108093	12/10/09	



SMA FEMALE CONNECTOR
PER NGST SPECIFICATION 2A004
2 PLACES




2. MARKING: USING HYSOL 50-771R CAT9 AS 100/6 BW BLACK
NON CONDUCTIVE INK OR EQUIVALENT TO INCLUDE:
NORTHROP GRUMMAN PART IDENTIFICATION#8PXXX-XXXX-XXX
PORT IDENTIFICATION
NON-RECURRING SERIAL NUMBER
DATE CODE
MANUFACTURERS NAME OR SYMBOL 51719.

(NOTE: BAKE AT 121°C FOR 30 MINS. TO CURE INK)

1. FINISH: SILVER PLATE PER SCD10020

NOTES:

UNLESS OTHERWISE SPECIFIED DIMENSIONS ARE IN INCHES TOLERANCES ARE:			CONTRACT NO. C1814	
FRACTIONS	DECIMALS	ANGLES	APPROVALS	DATE
+	.xx ± .03	+	DRAWN D.F.ESTABROOK	06/16/03
-	.xxx ± .010	-	REVISED STEPHEN B.	12/10/09
MATERIAL			CHECKED	
FINISH			APPROVED	
USED ON MODEL#			DO NOT SCALE DRAWING	

 DELTA MICROWAVE INC. 300 Del Norte Boulevard Oxnard, CA. 93030		
TITLE C1814 OUTLINE		
SIZE B	CODE IDENT NO. 51719	DWG NO C1814
SCALE 1:1	SHEET 1	OF 1