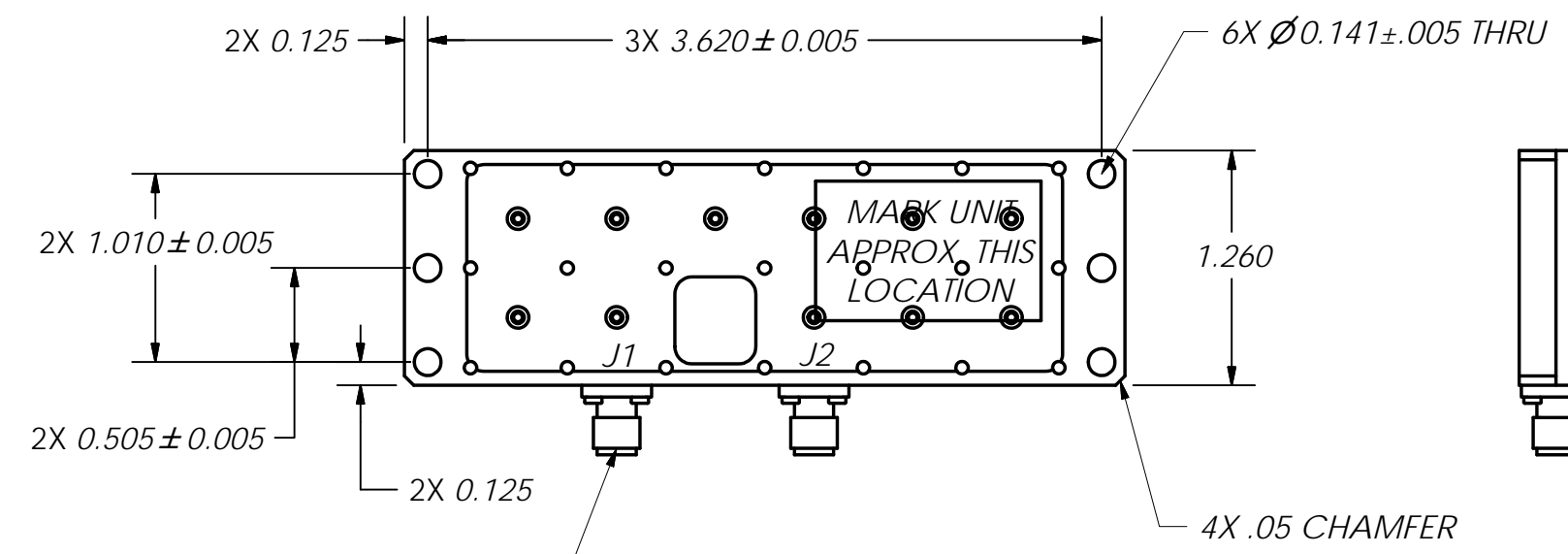
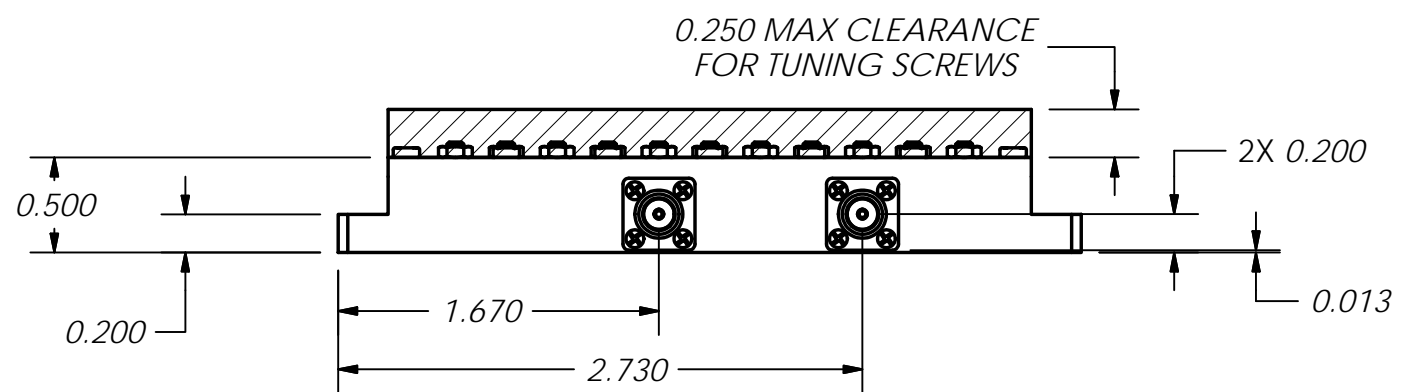
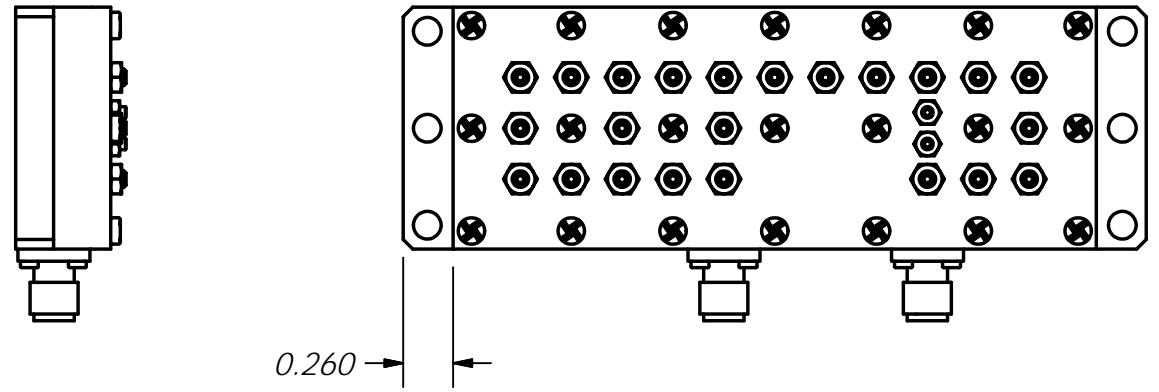


THIS DOCUMENT CONTAINS INFORMATION PROPRIETARY TO DELTA MICROWAVE. ANY REPRODUCTION WITHOUT WRITTEN PERMISSION IS EXPRESSLY PROHIBITED.

ZONE	REV	DESCRIPTION	DATE	APPROVED
	A	RELEASED	09/17/02	R.E.S.
	B	ECO# 106114	12/11/02	R.E.S.
	C	ECO# 106116	11/18/02	D.R.B.
	D	ECO# 106160	04/22/03	D.R.B.
	E	ECO# 106326	01/13/04	D.R.B.
	F	ECO# 106355	02/18/04	D.R.B.
	G	ECO# 106500	07/13/04	D.R.B.
	H	ECO# 106986	06/07/06	D.R.B.
	J	ECO# 107872	07/16/09	D.R.B.
	K	ECO# 107940	08/18/09	M. J.
	L	ECO# 108094	12/10/09	



SMA FEMALE CONNECTOR
PER NGST SPECIFICATION 2A004
2 PLACES



2. MARKING: USING HYSOL 50-771R/CAT9 AS 100/6 BW BLACK
NON CONDUCTIVE INK OR EQUIVALENT TO INCLUDE:
NORTHROP GRUMMAN PART IDENTIFICATION# 8PXXX-XXXX-XXX
PORT IDENTIFICATION
NON-RECURRING SERIAL NUMBER
DATE CODE
MANUFACTURERS NAME OR SYMBOL 51719.

(NOTE: BAKE AT 121°C FOR 30 MINS. TO CURE INK)

FINISH: SILVER PLATE PER SCD10011

NOTES:

UNLESS OTHERWISE SPECIFIED DIMENSIONS ARE IN INCHES TOLERANCES ARE:			CONTRACT NO. C1970	
FRACTIONS	DECIMALS	ANGLES	APPROVALS	DATE
+	.xx ± .03	+	DRAWN N.CASTRO	09/17/02
-	.xxx ± .010	-	REVISED STEPHEN B.	12/10/09
MATERIAL			CHECKED	
FINISH			APPROVED	
USED ON MODEL#			DO NOT SCALE DRAWING	

DELTA MICROWAVE INC.
300 Del Norte Boulevard Oxnard, CA. 93030

C1970 OUTLINE

SIZE	CODE IDENT NO.	DWG NO
B	51719	C1970
SCALE	FULL	SHEET 1 OF 1