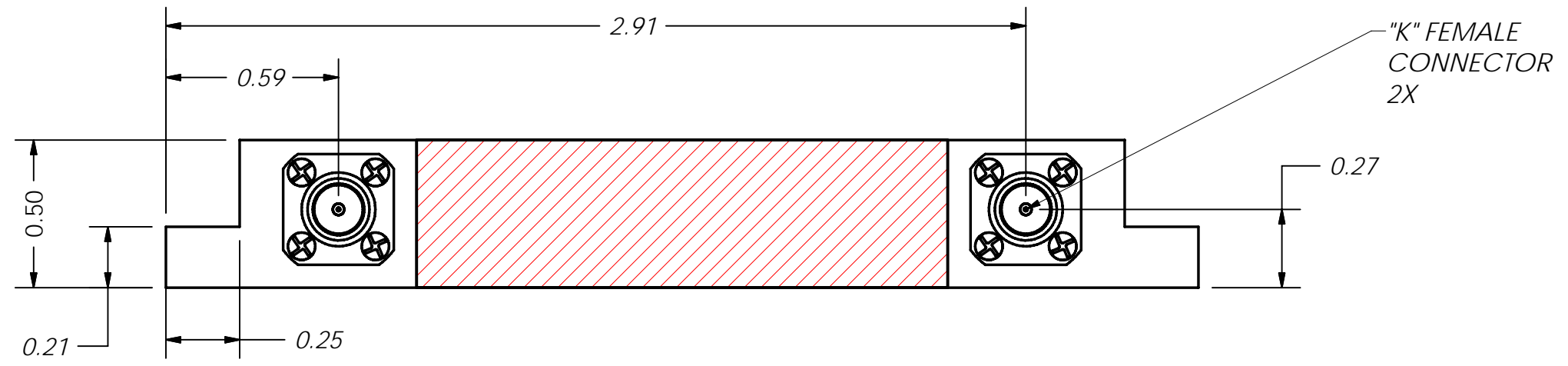
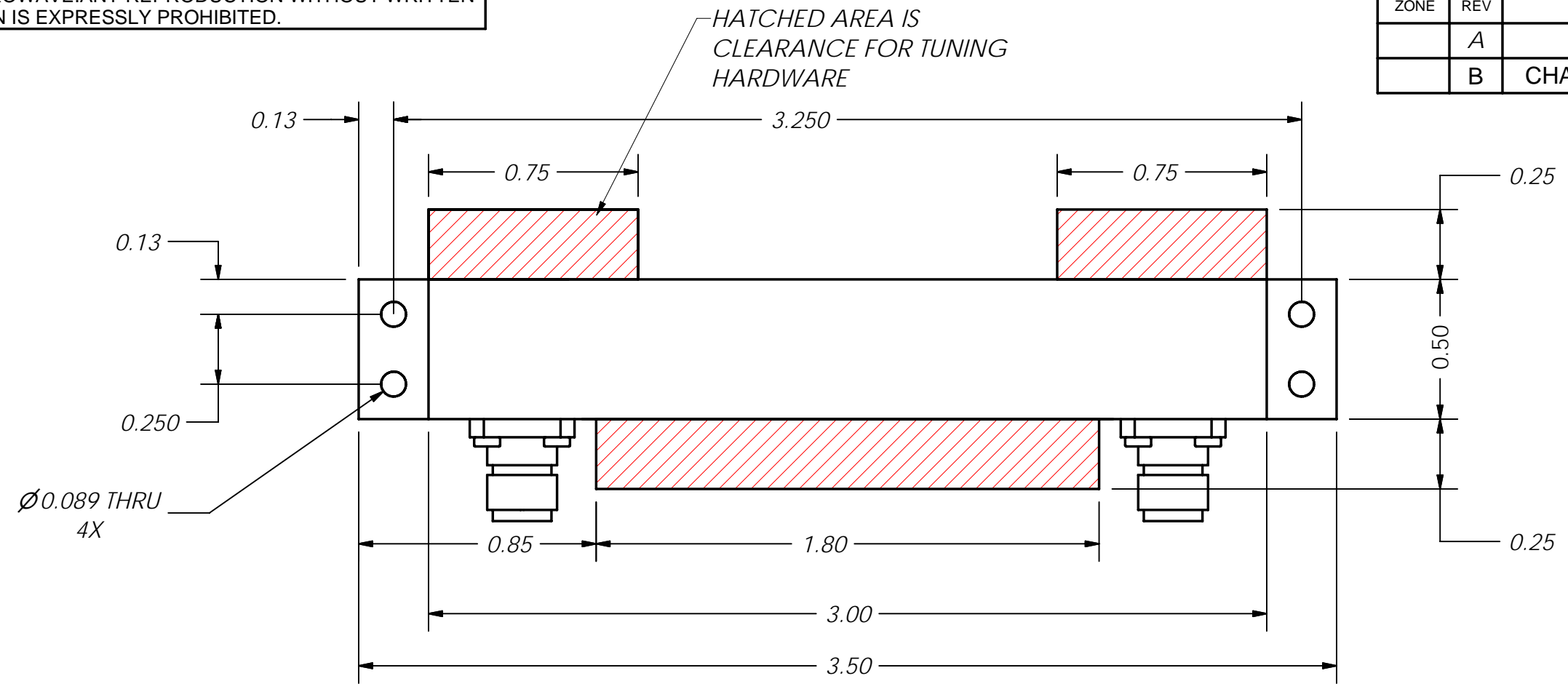


THIS DOCUMENT CONTAINS INFORMATION PROPRIETARY TO DELTA MICROWAVE. ANY REPRODUCTION WITHOUT WRITTEN PERMISSION IS EXPRESSLY PROHIBITED.

ZONE	REV	DESCRIPTION	DATE	APPROVED
	A	PRELIMINARY RELEASE	04/03/06	D.R.B.
	B	CHANGED CLEARANCE AREA	04/05/06	




2. MARKING: USING LABEL OR BLACK WORNOW INK TO INCLUDE:
DELTA MICROWAVE, MODEL NO., SERIAL NO.,
CODE IDENT. NO. 51719 AND DATE CODE

1: FINISH: HAZE GRAY EPOXY POLYAMIDE TOPCOAT
PER MIL-DTL-24441C, SUP.1
MIL-DTL-24441/21, TYP 3, FORMULA 151
USING GREEN EPOXY POLYAMIDE PRIMER
MIL-DTL-24441/20, TYP 3, FORMULA 150

NOTES:

UNLESS OTHERWISE SPECIFIED DIMENSIONS ARE IN INCHES TOLERANCES ARE: FRACTIONS DECIMALS ANGLES + .xx ± .03 + - .xxx ± .010 -			CONTRACT NO. <i>E1507</i>	
MATERIAL			APPROVALS	DATE
FINISH			DRAWN D.F. ESTABROOK	04/03/06
USED ON MODEL#			REVISED	
DO NOT SCALE DRAWING			CHECKED	
			APPROVED	

 Delta Microwave Inc. 1301 VANGUARD DRIVE OXNARD, CA 93033			
			TITLE <i>E1507 OUTLINE</i>
SIZE B	CODE IDENT NO. 51719	DWG NO. <i>E1507</i>	
SCALE 2:1		SHEET 1 OF 1	