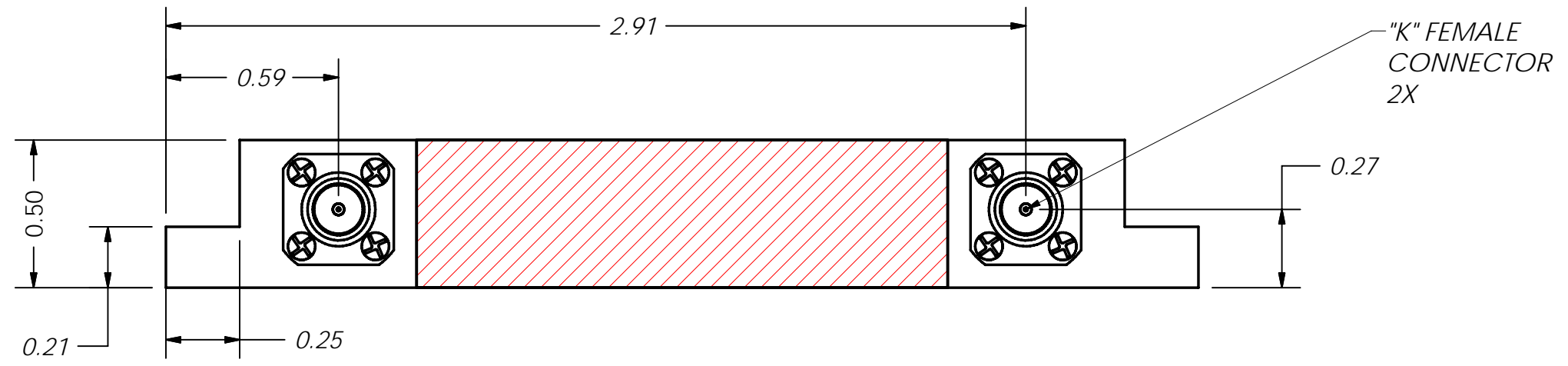
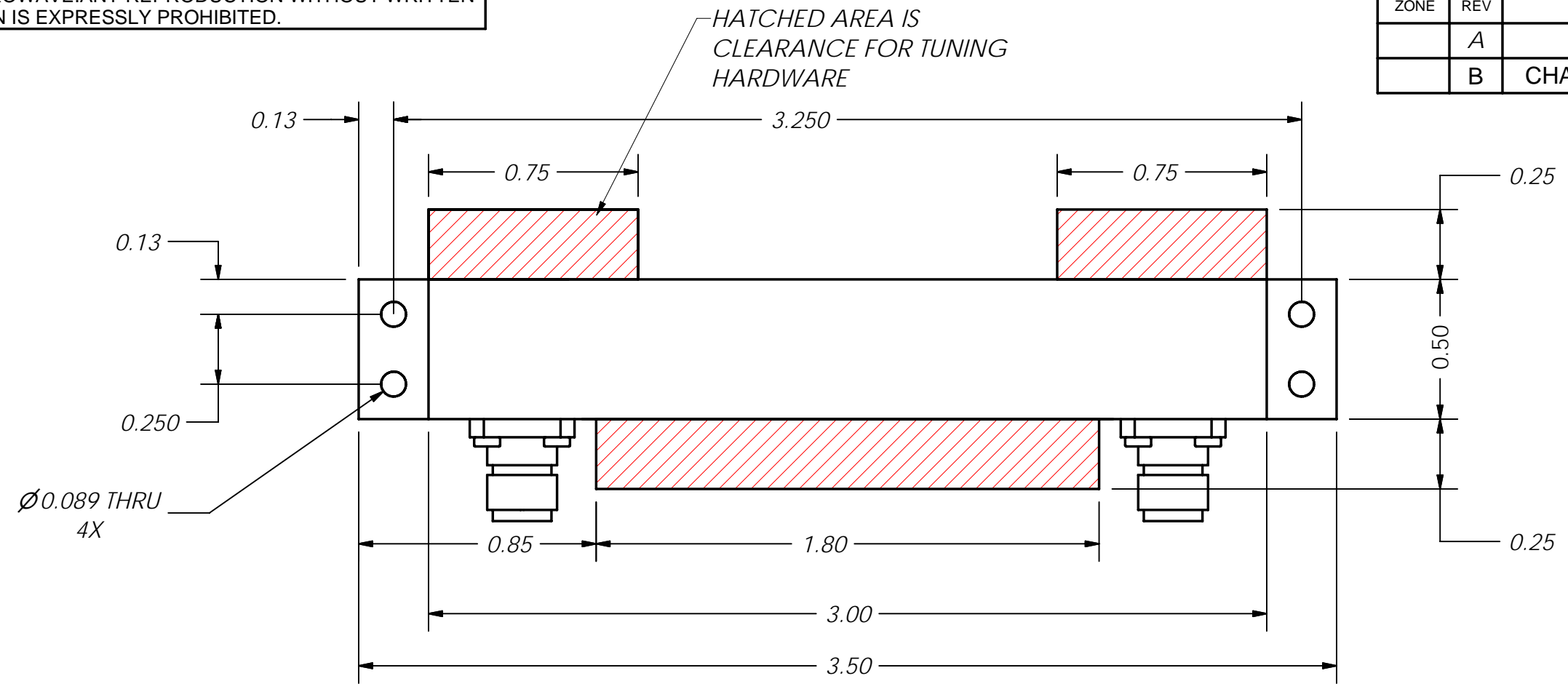


THIS DOCUMENT CONTAINS INFORMATION PROPRIETARY TO DELTA MICROWAVE. ANY REPRODUCTION WITHOUT WRITTEN PERMISSION IS EXPRESSLY PROHIBITED.

ZONE	REV	DESCRIPTION	DATE	APPROVED
	A	PRELIMINARY RELEASE	04/03/06	D.R.B.
	B	CHANGED CLEARANCE AREA	04/05/06	




2. MARKING: USING LABEL OR BLACK WORNOW INK TO INCLUDE:
 DELTA MICROWAVE, MODEL NO., SERIAL NO.,
 CODE IDENT. NO. 51719 AND DATE CODE

1: FINISH: HAZE GRAY EPOXY POLYAMIDE TOPCOAT
 PER MIL-DTL-24441C, SUP.1
 MIL-DTL-24441/21, TYP 3, FORMULA 151
 USING GREEN EPOXY POLYAMIDE PRIMER
 MIL-DTL-24441/20, TYP 3, FORMULA 150

NOTES:

UNLESS OTHERWISE SPECIFIED DIMENSIONS ARE IN INCHES TOLERANCES ARE: FRACTIONS DECIMALS ANGLES + .xx ± .03 + - .xxx ± .010 -	CONTRACT NO.	E1508	
	APPROVALS	DATE	
	DRAWN	D.F. ESTABROOK	04/03/06
	REVIS		
MATERIAL	CHECKED		
FINISH	APPROVED		
USED ON MODEL#	DO NOT SCALE DRAWING		

 Delta Microwave Inc. 1301 VANGUARD DRIVE OXNARD, CA 93033	TITLE	
	<i>E1508 OUTLINE</i>	
SIZE	CODE IDENT NO.	DWG NO
B	51719	<i>E1508</i>
SCALE 2:1	SHEET	1 OF 1