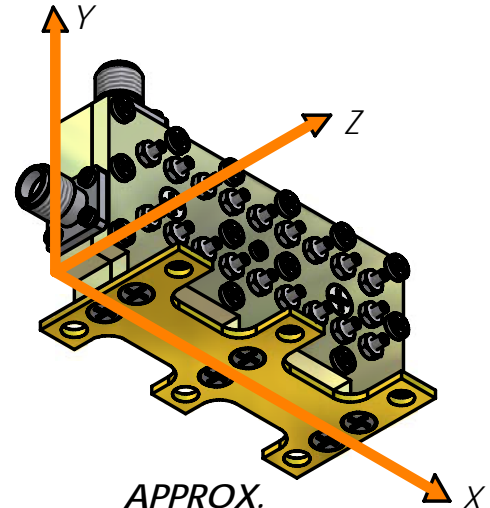


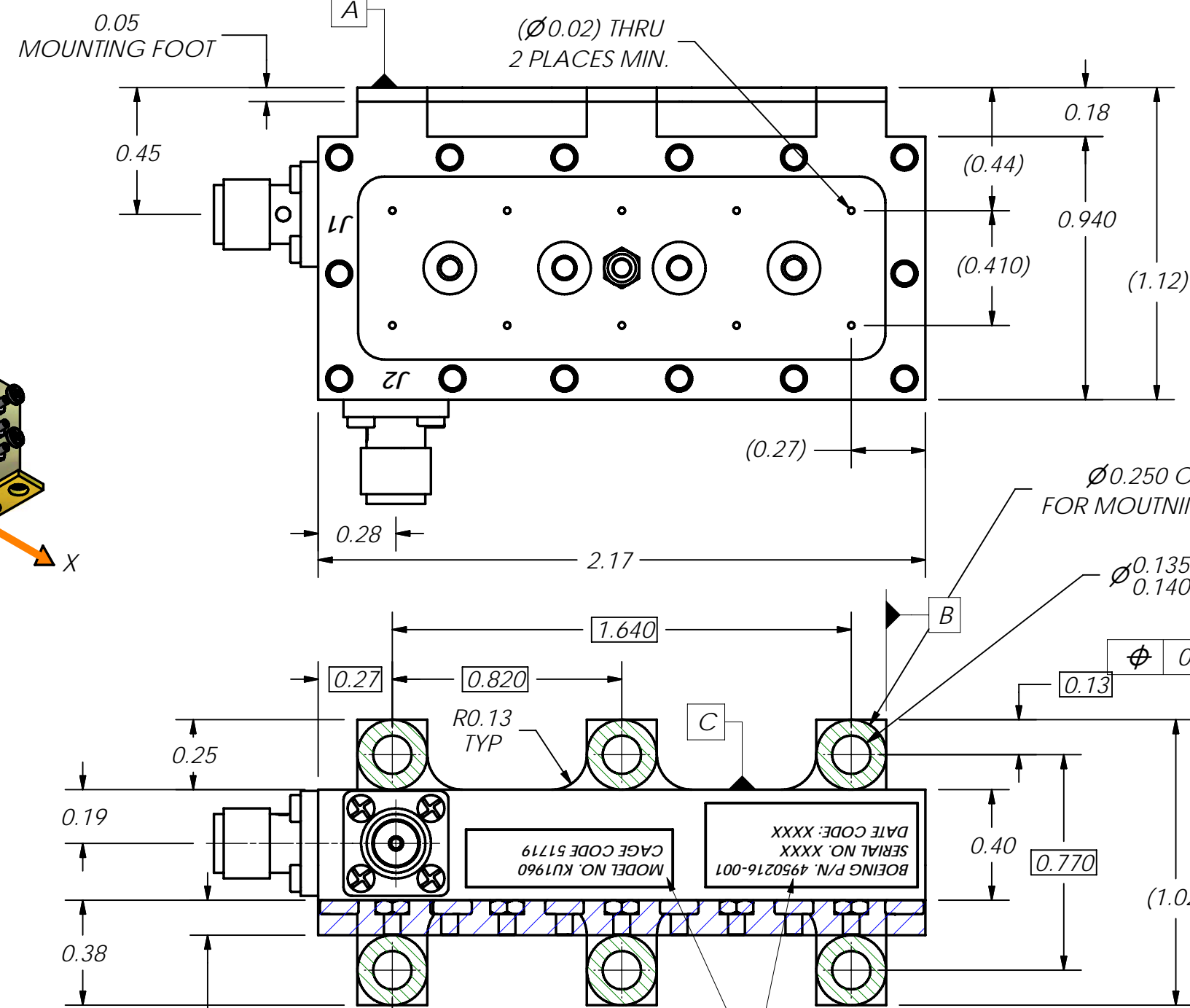
THIS DOCUMENT CONTAINS INFORMATION PROPRIETARY TO DELTA MICROWAVE. ANY REPRODUCTION WITHOUT WRITTEN PERMISSION IS EXPRESSLY PROHIBITED.

ZONE	REV	DESCRIPTION	DATE	APPROVED
	-	PRELIMINARY RELEASE	10/07/09	D.R.B.
	A	ECO#107422	11/13/07	D.R.B.
	B	ECO#107427	11/19/07	M.D.J.
	C	ECO#107428	11/21/07	D.R.B.
	D	ECO#107459	12/07/07	D.R.B.
	E	ECO#107461	12/10/07	D.R.B.
	F	ECO#107474	01/17/08	D.R.B.
	G	ECO#107515	03/25/08	

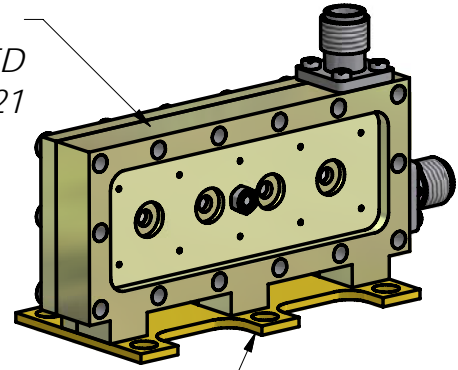


APPROX. CENTER OF GRAVITY
 X=1.035 in.
 Y=0.431 in.
 Z=0.232 in.

APPROX. WEIGHT
 0.200 lbs.



INVAR SILVER PLATED PER SCD10021



ALUMINUM GOLD PLATE PER SCD10018

2. MARKING: USING LABEL OR BLACK WORNOW INK TO INCLUDE:
 BOEING P/N. 4950216-001
 SERIAL NO. XXXX
 DATE CODE: XXXX
 MODEL NO. KU1960
 CAGE CODE 51719

1. FINISH: SILVER PLATE PER SCD10021
 MOUNTING FOOT FINISH: GOLD PLATE PER SCD10018

NOTES:

UNLESS OTHERWISE SPECIFIED DIMENSIONS ARE IN INCHES TOLERANCES ARE:			CONTRACT NO. Ku1960	
FRACTIONS	DECIMALS	ANGLES	APPROVALS	DATE
+	.xx ± .03	+	DRAWN	10/09/07
-	.xxx ± .010	-	REVISOR	
			CHECKED	
			APPROVED	
MATERIAL	FINISH		USED ON MODEL#	
	DO NOT SCALE DRAWING			

Delta Microwave Inc.
 1301 VANGUARD DRIVE OXNARD, CA 93033

Ku1960 OUTLINE

SIZE	CODE IDENT NO.	DWG NO
B	51719	Ku1960
SCALE 2:1		SHEET 1 OF 1