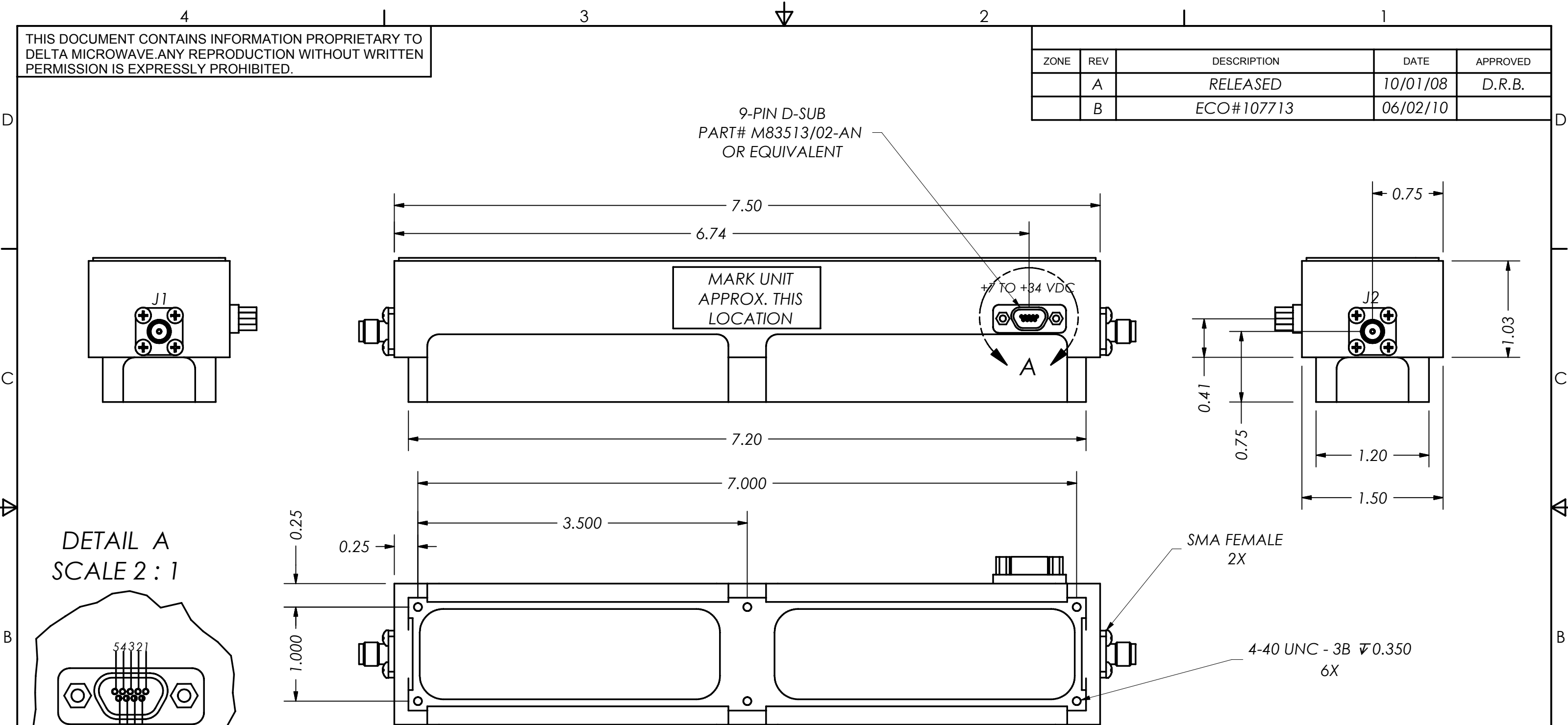
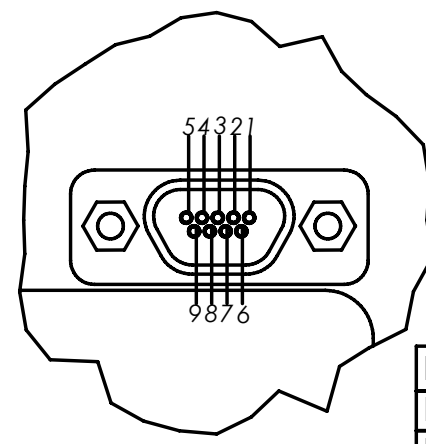


THIS DOCUMENT CONTAINS INFORMATION PROPRIETARY TO DELTA MICROWAVE. ANY REPRODUCTION WITHOUT WRITTEN PERMISSION IS EXPRESSLY PROHIBITED.

ZONE	REV	DESCRIPTION	DATE	APPROVED
	A	RELEASED	10/01/08	D.R.B.
	B	ECO#107713	06/02/10	



DETAIL A  
SCALE 2:1



PIN CHART


POWER	1,2,6
RETURN	4,5,9,
N/C	3,7,8,

2. MARKING: USING WHITE WARMOW INK TO INCLUDE:  
DELTA MICROWAVE, MODEL NO., SERIAL NO.,  
CODE IDENT. NO. 51719 AND DATE CODE

1: FINISH: TWO PART AEROGLAZE  
9924 WASH PRIMER  
CHEM GLAZE Z306  
FLAT BLACK POLYURETHANE

NOTES:

UNLESS OTHERWISE SPECIFIED DIMENSIONS ARE IN INCHES TOLERANCES ARE: FRACTIONS    DECIMALS    ANGLES +                .xx ± .01                + -                .xxx ± .005                -	CONTRACT NO.	S59109
	APPROVALS	DATE
	DRAWN D.F.ESTABROOK	10/01/08
	REVISED D.F.ESTABROOK	06/02/10
MATERIAL	CHECKED	
FINISH	APPROVED	
USED ON MODEL#	DO NOT SCALE DRAWING	

 <b>Delta Microwave Inc.</b> 1301 VANGUARD DRIVE OXNARD, CA 93033		
S59109 OUTLINE		
SIZE	CODE IDENT NO.	DWG NO
B	51719	S59109
SCALE 1:1	SHEET 1 OF 1	