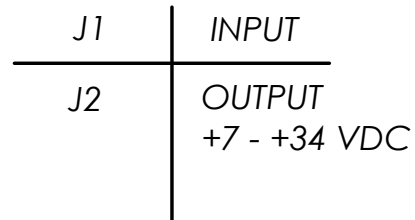
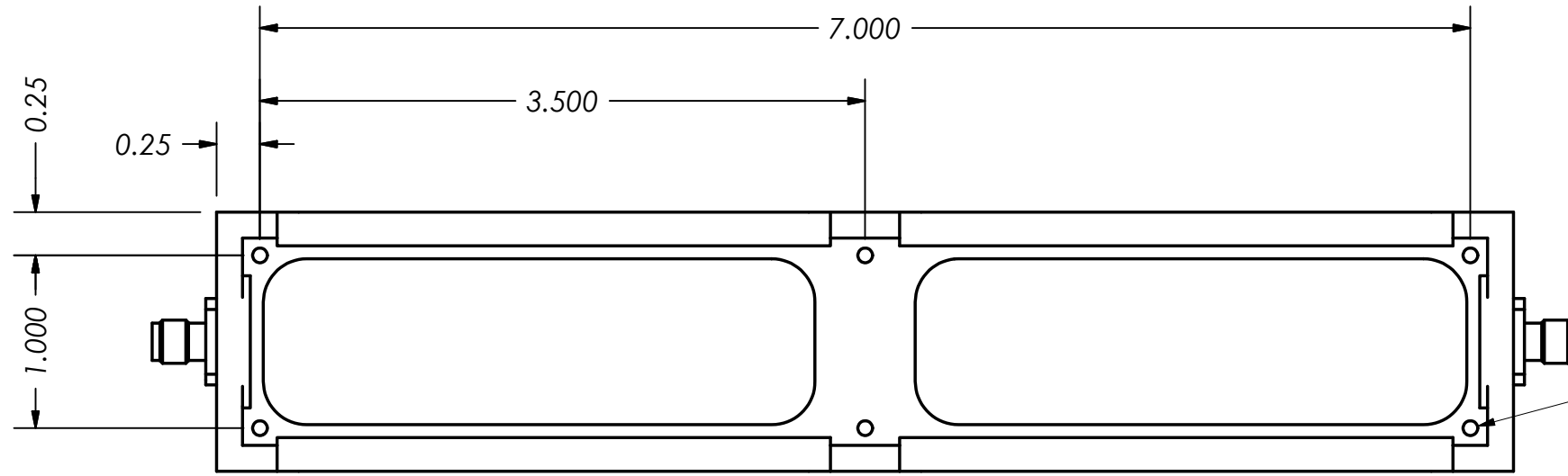
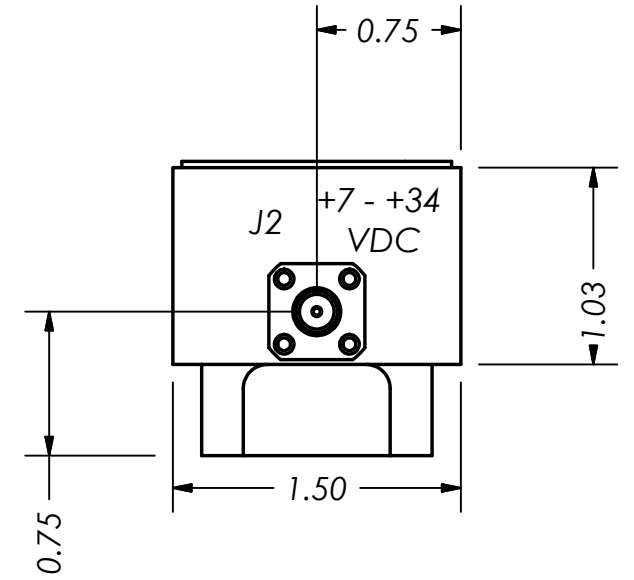
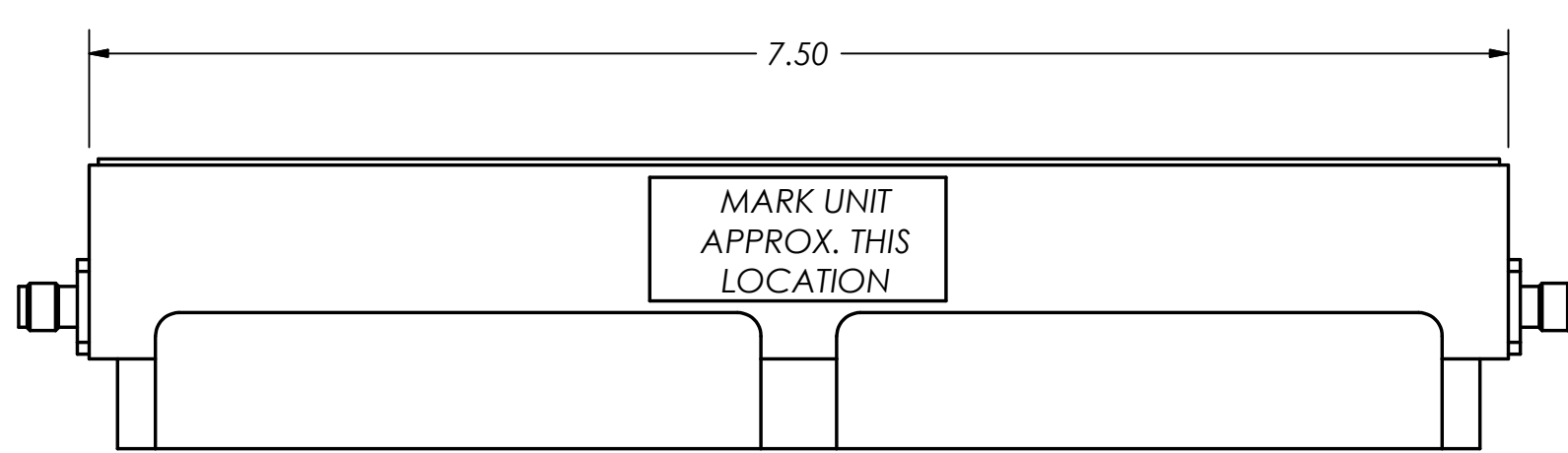
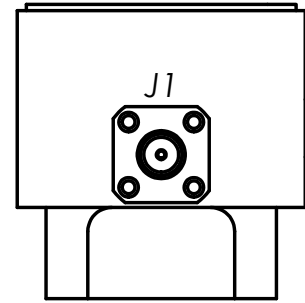


THIS DOCUMENT CONTAINS INFORMATION PROPRIETARY TO DELTA MICROWAVE. ANY REPRODUCTION WITHOUT WRITTEN PERMISSION IS EXPRESSLY PROHIBITED.

ZONE	REV	DESCRIPTION	DATE	APPROVED
	A	RELEASED	06/22/09	DRB
	B	ECO# 107926	08/11/09	D.R.B.
	C	ECO# 108167	02/18/10	



2. MARKING: USING WHITE WARMOW INK TO INCLUDE:
DELTA MICROWAVE, MODEL NO., SERIAL NO.,
CODE IDENT. NO. 51719 AND DATE CODE

1: FINISH: TWO PART AEROGLAZE
9924 WASH PRIMER
CHEM GLAZE Z306
FLAT BLACK POLYURETHANE

NOTES:

UNLESS OTHERWISE SPECIFIED
DIMENSIONS ARE IN INCHES
TOLERANCES ARE:
FRACTIONS DECIMALS ANGLES
+ .xx ± .01 +
- .xxx ± .005 -

CONTRACT NO. S59111	
APPROVALS	DATE
DRAWN D.F.ESTABROOK	06/22/09
REVISED S.BROWN	02/18/10
CHECKED	
APPROVED	

Delta Microwave Inc.
1301 VANGUARD DRIVE OXNARD, CA 93033

TITLE
S59111 OUTLINE

SIZE B	CODE IDENT NO. 51719	DWG NO. S59111
------------------	--------------------------------	--------------------------

SCALE 1:1 SHEET 1 OF 1

USED ON MODEL#	DO NOT SCALE DRAWING
----------------	----------------------