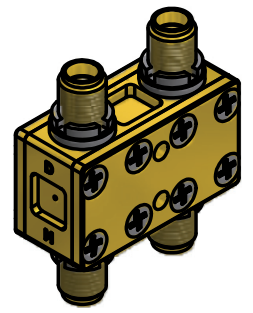
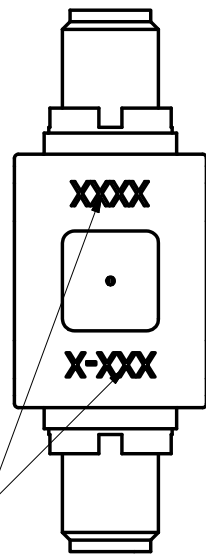


THIS DOCUMENT CONTAINS INFORMATION PROPRIETARY TO DELTA MICROWAVE. ANY REPRODUCTION WITHOUT WRITTEN PERMISSION IS EXPRESSLY PROHIBITED.

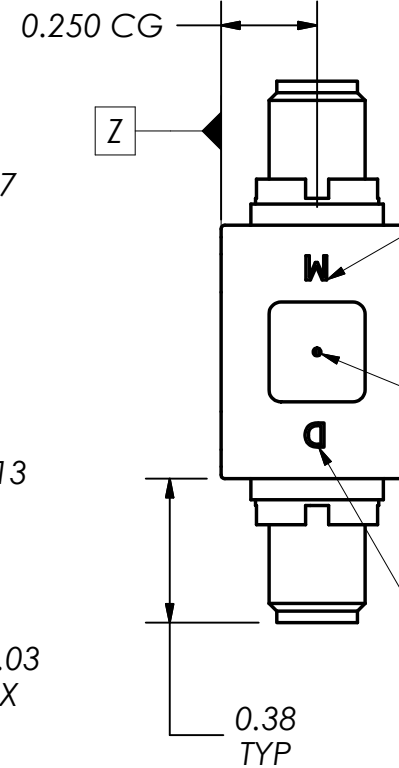
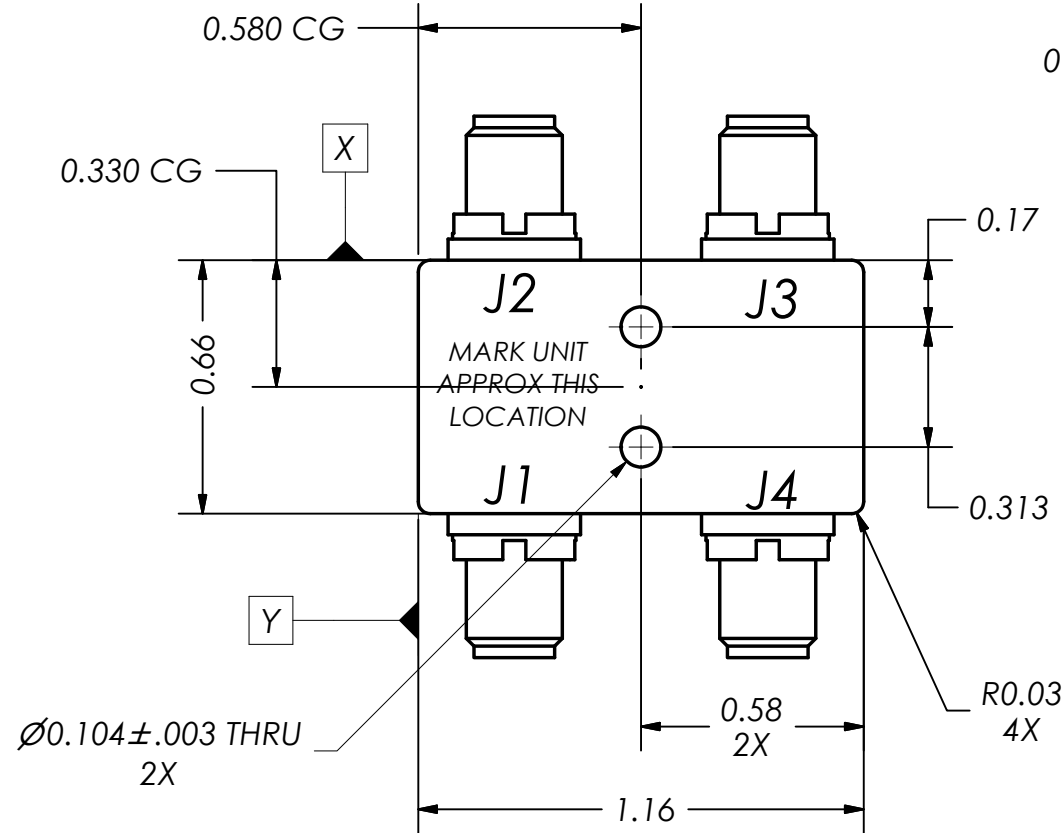
CUST. APPROVAL	ZONE	REV	DESCRIPTION	DATE	APPROVED
		A	INITIAL RELEASE	05/30/12	



ISO VIEW
SCALE 1:1



SEQUENTIAL
BODY NUMBER



VENDOR CODE
2ND CHARACTER
(NOTE ORIENTATION)

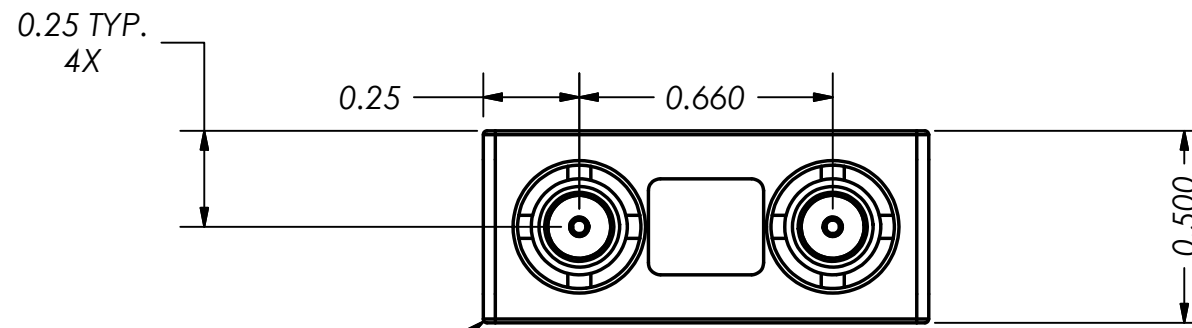
Ø0.020 BLEEDER HOLE
1X NEAR SIDE
1X FAR SIDE

VENDOR CODE
1ST CHARACTER
(NOTE ORIENTATION)

Mass < 1.5 OZ

MASS MOMENT OF INERTIA
XX=0.007 LB IN²
YY=0.008 LB IN²
ZZ=0.013 LB IN²
*BASED ON CAD MODEL WEIGHT OF 0.96 OZ.

MASS PRODUCT OF INERTIA
XY=0.000 LB IN²
XZ=0.000 LB IN²
YZ=0.00 LB IN²
*BASED ON CAD MODEL WEIGHT OF 0.96 OZ.



R0.01 ENTIRE PERIPHERY
TOP AND BOTTOM SURFACES

CONNECTOR CONFIGURATION				
PORT	J1	J4	J3	J2
J1	INPUT	ISOLATED	-3dB, -90°	-3dB, 0°
J4	ISOLATED	INPUT	-3dB, 0°	-3dB, -90°
J3	-3dB, -90°	-3dB, 0°	INPUT	ISOLATED
J2	-3dB, 0°	-3dB, -90°	ISOLATED	INPUT

2. MARKING: USING BLACK EPOXY INK TO INCLUDE:
DELTA MICROWAVE, MODEL NO., SERIAL NO.,
CODE IDENT. NO. 51719

1: FINISH: GOLD PLATE PER MIL-G-45204 TYPE 3, GRADE A, CLASS 1.

NOTES:

PEDIGREE TABLE	
PEDIGREE	PART NO.
FLIGHT UNIT	S6118-FL
ENGINEERING UNIT	S6118-EM
QUALIFICATION UNIT	S6118-QU

UNLESS OTHERWISE SPECIFIED
DIMENSIONS ARE IN INCHES
TOLERANCES ARE:
FRACTIONS DECIMALS ANGLES
+ .xx ± .03 + 1°
- .xxx ± .010 -

CONTRACT NO. S6118

APPROVALS DATE
DRAWN D.F.ESTABROOK 05/30/12

REVIS

CHECKED

APPROVED

INTERPRET DRAWINGS PER
ASME Y14.100 and ASME Y14.24



Delta Microwave Inc.

300 Del Norte Boulevard Oxnard CA. 93030

TITLE

OUTLINE

SIZE B CODE IDENT NO. 51719 DWG NO. S6118

SCALE 2:1 SHEET 1 OF 1

USED ON MODEL# DO NOT SCALE DRAWING