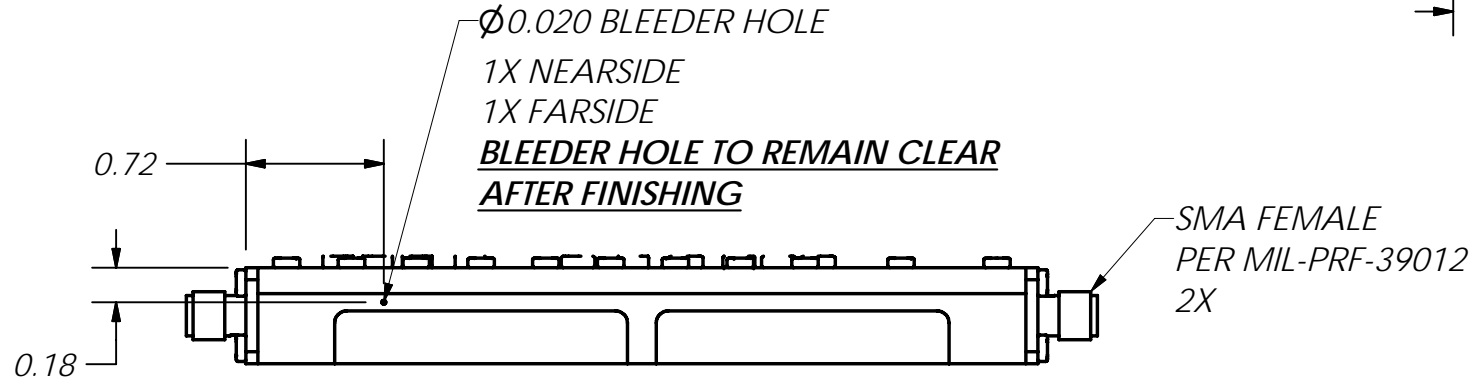
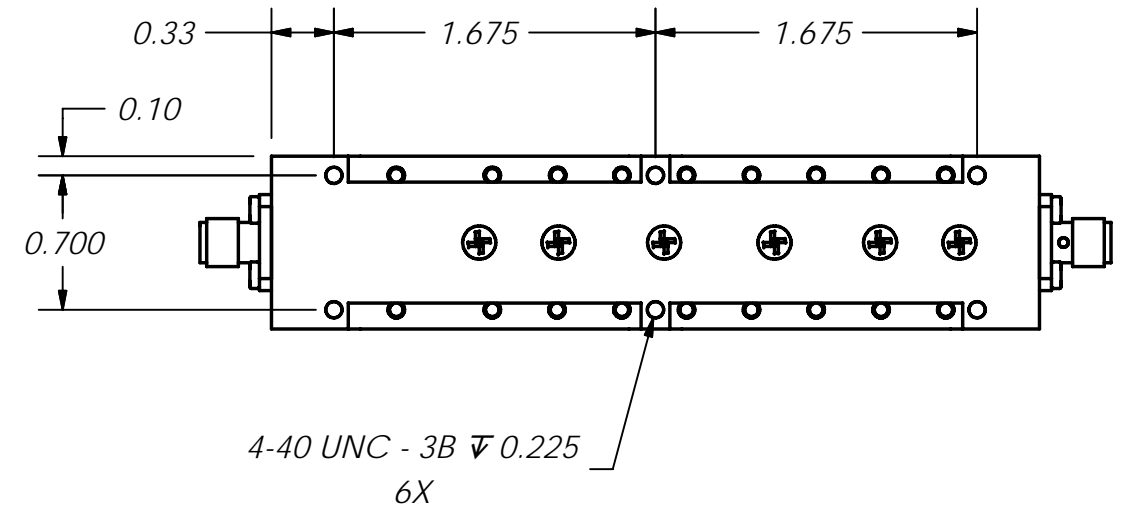
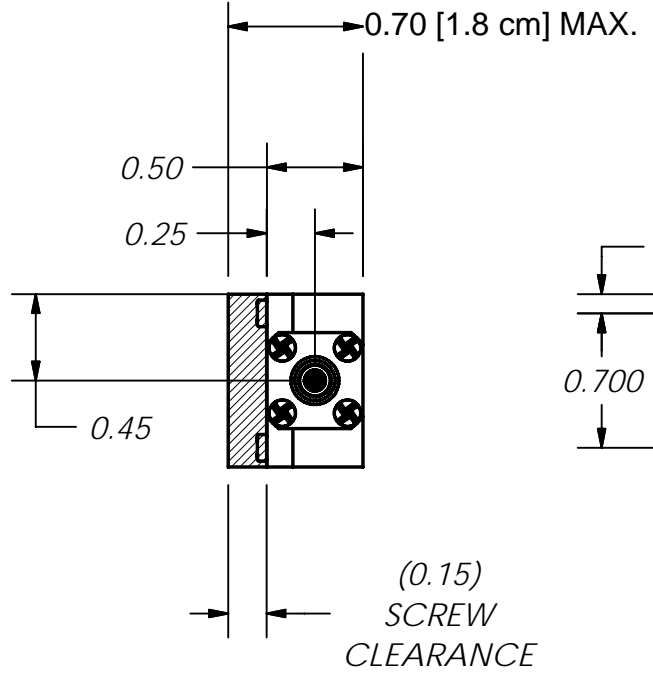
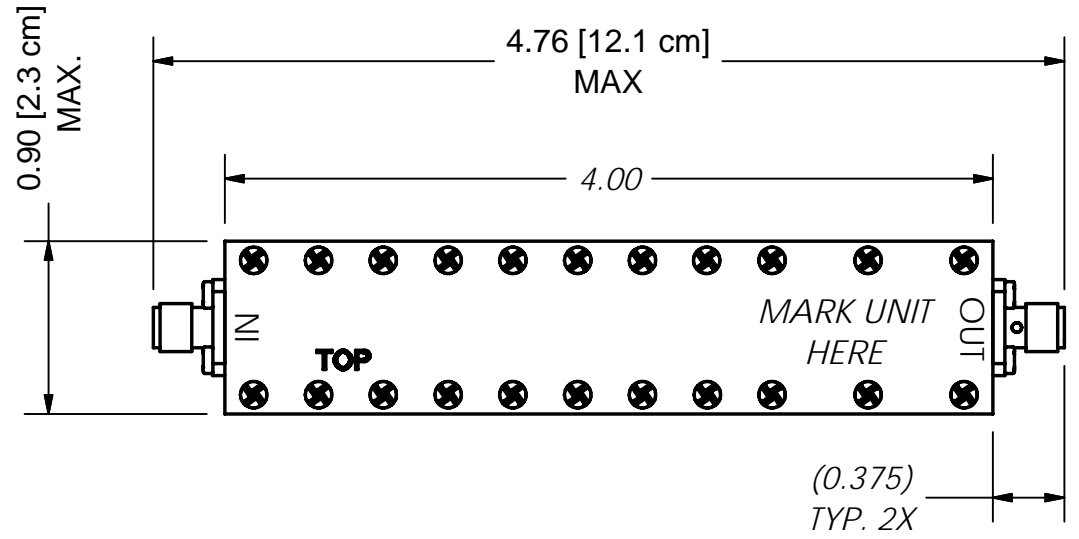
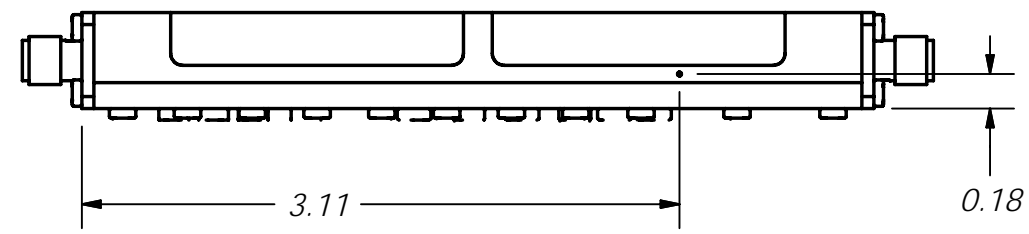


THIS DOCUMENT CONTAINS INFORMATION PROPRIETARY TO DELTA MICROWAVE. ANY REPRODUCTION WITHOUT WRITTEN PERMISSION IS EXPRESSLY PROHIBITED.

ZONE	REV	DESCRIPTION	DATE	APPROVED
	A	RELEASED	05/06/03	R.E.S.
	B	ECO#106303	11/18/03	R.E.S.
	C	ECO#106321	01/06/04	D.R.B.
	D	ECO#107204	04/30/07	D.R.B.
	E	ECO#107223	05/14/07	



WEIGHT: 70 grams MAX.

3. INCLUDE SWMI 66049 CONNECTOR SAVERS WITH UNIT (DO NOT REMOVE)
2. MARKING: USING BLACK WARNOW INK TO INCLUDE DELTA MICROWAVE, MODEL NO., SERIAL NO. CODE IDENT. NO. 51719 AND DATE CODE
1. FINISH: SILVER PLATE PER SCD10011
- NOTES:

UNLESS OTHERWISE SPECIFIED DIMENSIONS ARE IN INCHES TOLERANCES ARE: FRACTIONS DECIMALS ANGLES + .xx ± .03 + - .xxx ± .010 -	CONTRACT NO. X1555	DELTA MICROWAVE 1301 VANGUARD DRIVE OXNARD, CA 93033	TITLE	
	APPROVALS		DATE	X1555 OUTLINE
MATERIAL	DRAWN D.F. ESTABROOK	05/06/03	SIZE B	CODE IDENT NO. 51719
FINISH	CHECKED		DWG NO. X1555	
USED ON MODEL#	APPROVED		SCALE FULL	SHEET 1 OF 1
	DO NOT SCALE DRAWING			